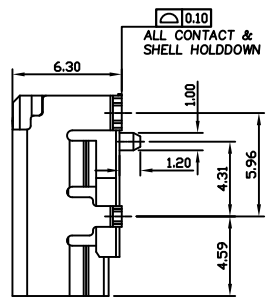
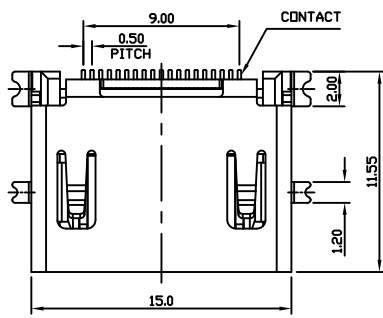


REV	ZONE	REVISION	DATE	APPD.

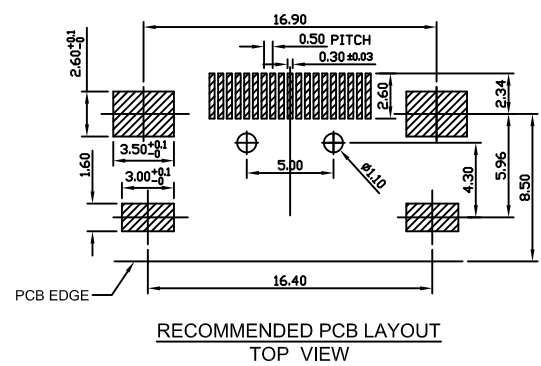
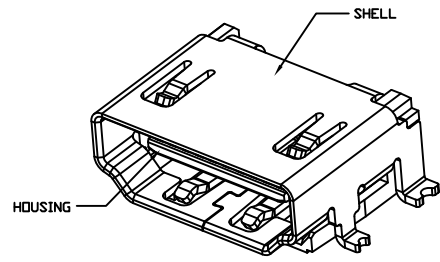
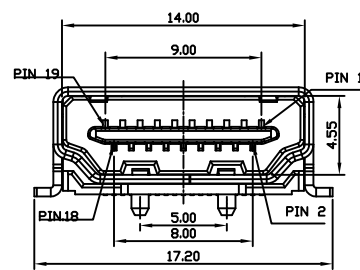


### C-SUD-110M5\* - L \* N

Series \_\_\_\_\_  
 Type \_\_\_\_\_  
 Color \_\_\_\_\_  
 Material L : LCP

Shell  
 N : Nickel Plated

Gold Plated  
 0 : 3u"  
 1 : 5u"  
 2 : 15μ"  
 3 : 30μ"



NO.	NAME	MATERIAL	PLATING
1	HOUSING	LCP	
2	SHELL	Alloy	Ni-Plated
3	CONTACT 1	Copper Alloy	Gold-Plated
4	CONTACT 2	Copper Alloy	Gold-Plated

SHINWAY ELECTRONICS CO.,LTD.  
 欣威企業有限公司

COMPUTER NO.			UNIT	SCALE	PART NAME	
D:\DWG\HM20B			mm	1:1	HDMI A Type 19P/F 90° SMT	
APPD.	CKD.	DWG.	DATE	TOLERANCE	PART NO.	REV.
	Aaron	Lucy	2011-03-14	0.000mm ± 0.075mm 0.00 mm ± 0.20 mm 0.0 mm ± 0.25 mm		A.0

MODEL C-SUD-110M5\*-L\*N PAGE 1 OF 1