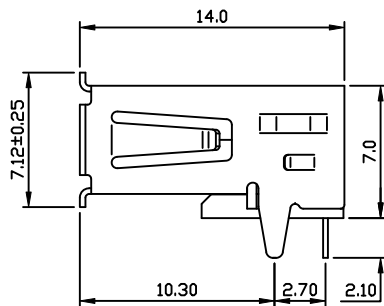
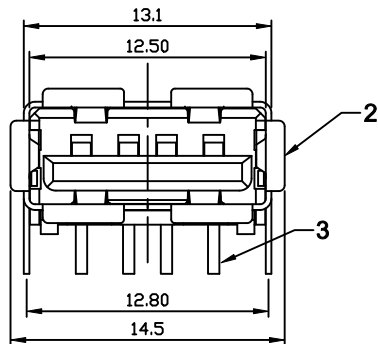


NO.	NAME	MATERIAL	PLATING
1	HOUSING	PBT / Nylon	
2	SHELL	BRASS	Ni-Plated
3	PIN TERM.	PHOS. BRONZE	Gold-Plated

REV	ZONE	REVISION	DATE	APPD.



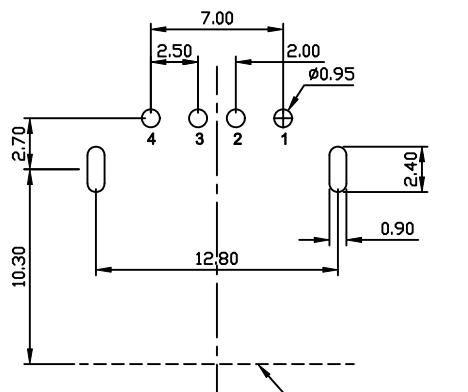
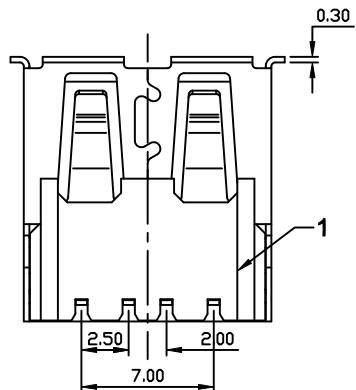
SUA-110H4D * - * * *

Series _____
 Type _____
 Color _____
 B : Black
 W : White

Shell _____
 N : Nickel Plated

Material _____
 B : PBT
 P : Nylon

Version _____
 1 : 1.1
 2 : 2.0



RECOMMENDED PCB LAYOUT
TOP VIEW

PW POWERWAY ELECTRONICS CO.,LTD.
 博 歲 電 子 股 份 有 限 公 司

COMPUTER NO.			UNIT	SCALE	PART NAME	
D:\DWG\SUA-110H4D			mm	1:1	USB A TYPE CONNECTORS	
APPD.	CKD.	DWG.	DATE	TOLERANCE		REV.
	Aaron	Eric	2010-06-28	0.000mm ± 0.075mm 0.00 mm ± 0.15 mm 0.0 mm ± 0.25 mm		A.0

MODEL	SUA-110H4D*-* * *	PAGE 1 OF 1
-------	-------------------	-------------

