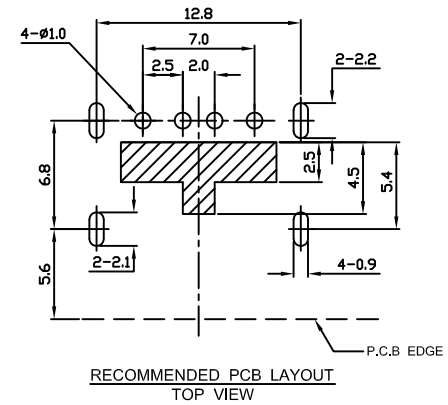
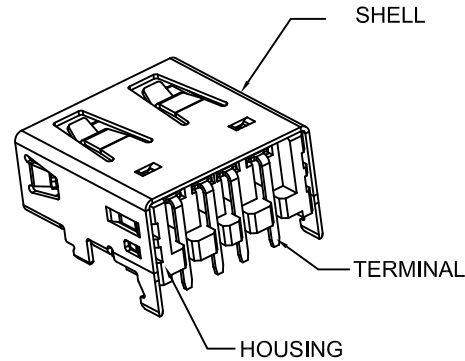
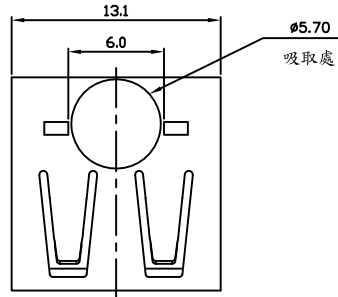
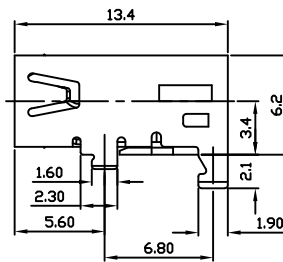
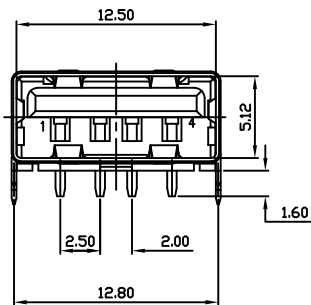


NO.	NAME	MATERIAL	FINISH
1	HOUSING	LCP	
2	CONTACT	PHOS. BRONZE	Gold-Tin Plated
3	SHELL	PHOS. BRONZE	Ni Plated

REV.	ZONE	REVISION	DATE	APPD.



RECOMMENDED PCB THICKNESS: 1.20 ± 0.05mm



**SUA-110F7\*-\*-\***

Series \_\_\_\_\_ Shell  
 Type \_\_\_\_\_ H : Nickel Plated  
 Color \_\_\_\_\_ Version  
 B: Black 1 : 1.1  
 2 : 2.0  
 Material \_\_\_\_\_  
 L : Lcp



POWERWAY ELECTRONICS CO.,LTD.  
 博歲電子股份有限公司

COMPUTER NO.			UNIT	SCALE	PART NAME	
D : \DWG \SUA-110F7			mm	1 : 1	USB. TYPE A FLAT 90° DIP	
APPD.	CKD.	DWG.	DATE	TOLERANCE		REV.
	Aaron	Eric	2010-02-08	0.000mm ± 0.075mm 0.00 mm ± 0.15 mm 0.0 mm ± 0.25 mm		A.0

MODEL SUA-110F7\*-L\*H PAGE 1 OF 1