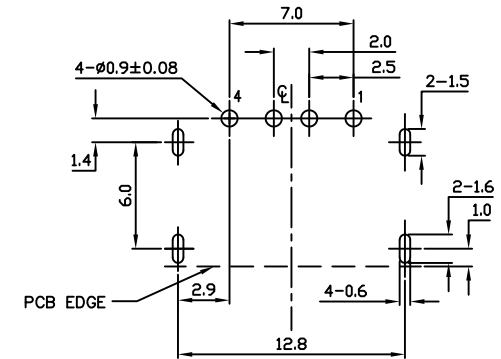
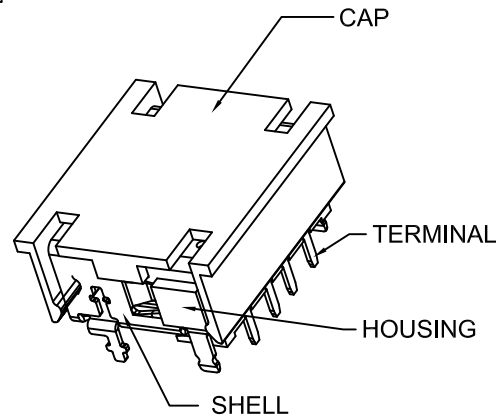
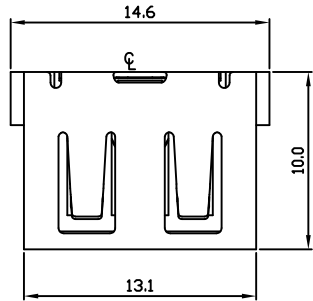


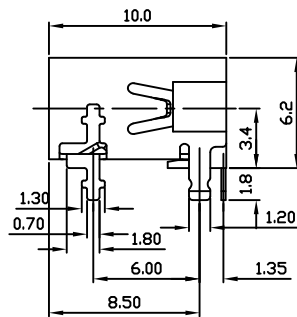
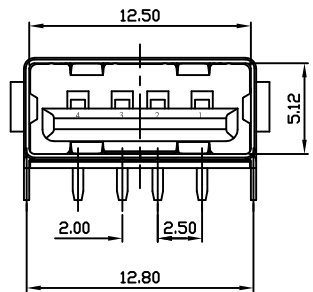
NO.	NAME	MATERIAL	FINISH
1	HOUSING	LCP	
2	CONTACT	PHOS. BRONZE	Gold-Tin Plated
3	SHELL	BRASS	Ni Plated

REV	ZONE	REVISION	DATE	APPD.



RECOMMENDED PCB LAYOUT
TOP VIEW

RECOMMENDED PCB THICKNESS: 1.20 ± 0.05mm



SUA-110F6*-*-*

Series ————
 Type ————
 Color ————
 B: Black
 Material ————
 L: Lcp

Shell
 N: Nickel Plated

Version
 1: 1.1
 2: 2.0



POWERWAY ELECTRONICS CO.,LTD.
 博歲電子股份有限公司

COMPUTER NO.			UNIT	SCALE	PART NAME	
D:\DWG\SUA-110F6			mm	1:1	USB. TYPE A REVERSE FLAT 90° DIP	
APPD.	CKD.	DWG.	DATE	TOLERANCE		REV.
	Aaron	Eric	2010-02-08	0.000mm ± 0.075mm	0.00 mm ± 0.15 mm	A.0
				0.0 mm ± 0.25 mm		

MODEL SUA-110F6*-L*N PAGE 1 OF 1