

NO.	NAME	MATERIAL
1	HOUSING	PBT / Nylon
2	PIN TERM.	PHOS. BRONZE
3	SHELL	BRASS / SPCC
4	SHELL	BRASS
5	HOUSING COVER	PBT

SUA-210P*-*-*

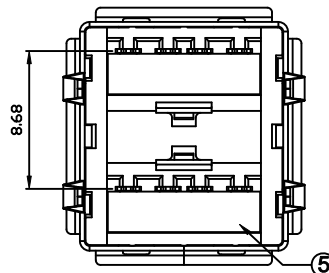
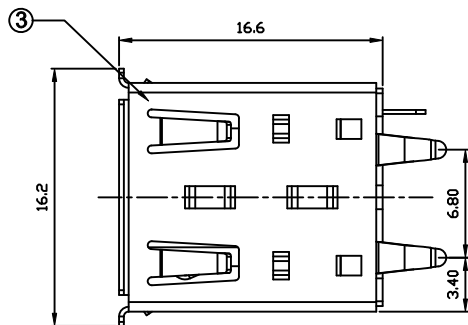
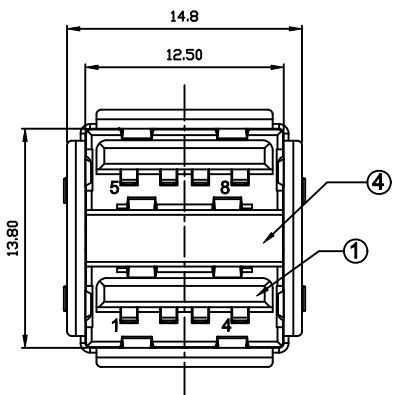
Series _____
 Type _____
 Color _____
 B : Black
 W : White

Shell
 Z : Nickel Plated (Shiny Surface)

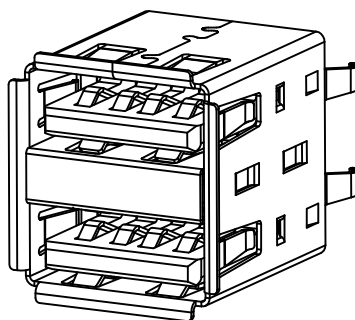
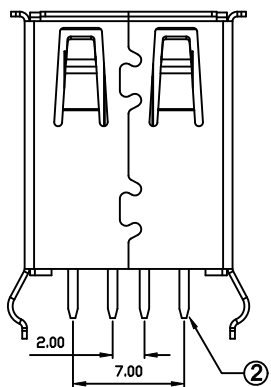
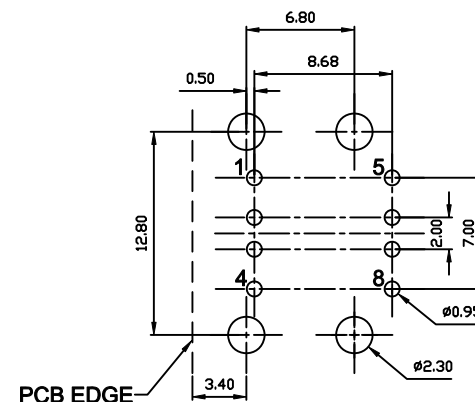
Version
 1 : 1.1
 2 : 2.0

Material
 B : PBT
 P : Nylon

REV	ZONE	REVISION	DATE	APPD.



SUGGESTED PCB LAYOUT TOP VIEW



PW POWERWAY ELECTRONICS CO.,LTD.
 博歲電子股份有限公司

COMPUTER NO.			UNIT	SCALE	PART NAME	
D:\DWG\SUA-210P			mm	1:1	DOUBLE USB. TYPE A	
APPD.	CKD.	DWG.	DATE	TOLERANCE		REV.
	Aaron	Eric	2010-06-24	0.000mm ± 0.075mm 0.00 mm ± 0.15 mm 0.0 mm ± 0.25 mm		A.0

MODEL SUA-210P*-*-* PAGE 1 OF 1

