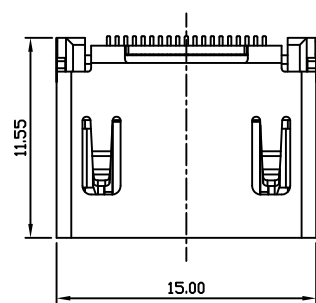
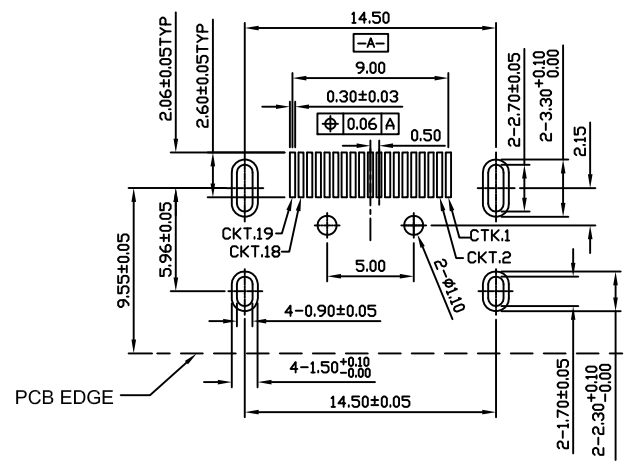
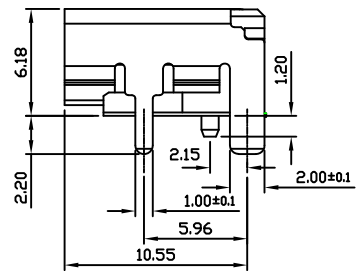
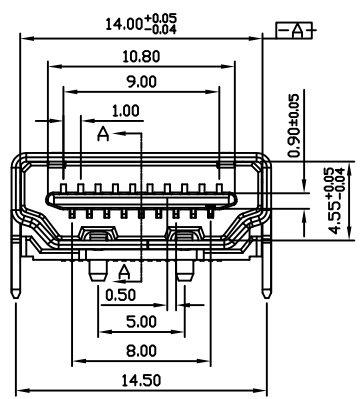


REV	ZONE	REVISION	DATE	APPD.

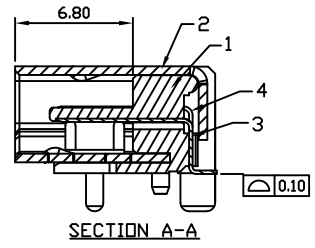
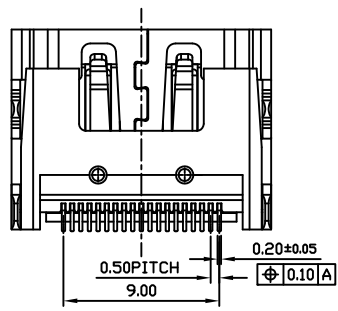


**C - SUD-110M7 \* - \* \* \***

Series \_\_\_\_\_ Shell  
Type \_\_\_\_\_ N : Nickel Plated  
Color \_\_\_\_\_ Gold Plated  
B : Black 0 : Gold Flash  
Material \_\_\_\_\_ 1 : 5u"  
L : LCP 2 : 15u"  
3 : 30u"



RECOMMENDED PCB LAYOUT  
TOP VIEW



NO.	NAME	MATERIAL	PLATING
1	HOUSING	LCP	
2	SHELL	Alloy	Ni-Plated
3	CONTACT 1	Copper Alloy	Gold-Plated
4	CONTACT 2	Copper Alloy	Gold-Plated

**PW** POWERWAY ELECTRONICS CO.,LTD.  
博 歲 電 子 股 份 有 限 公 司

COMPUTER NO.			UNIT	SCALE	PART NAME	
D:\DWG\HM10B			mm	1:1	HDMI RECEPTACLE,R/A, SMT TYPE 0.5mm PITCH, 19 POS.	
APPD.	CKD.	DWG.	DATE	TOLERANCE		REV.
	Aaron	Eric	2011-01-05	0.000mm ± 0.075mm 0.00 mm ± 0.20 mm 0.0 mm ± 0.25 mm		A.0

MODEL C-SUD-110M7 \* - \* \* \* PAGE 1 OF 1