

# C-SUD-110MT1\*-\*-\*

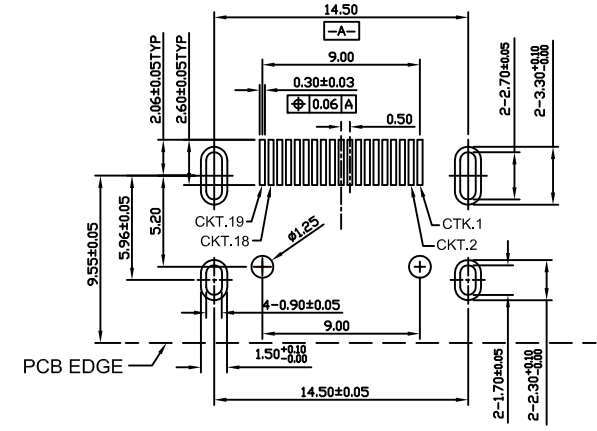
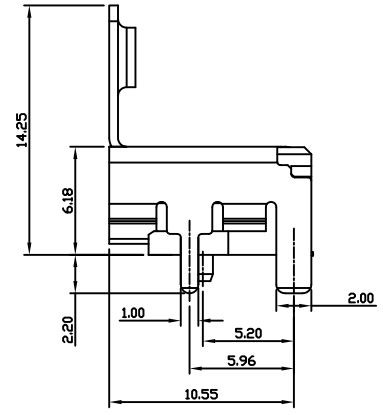
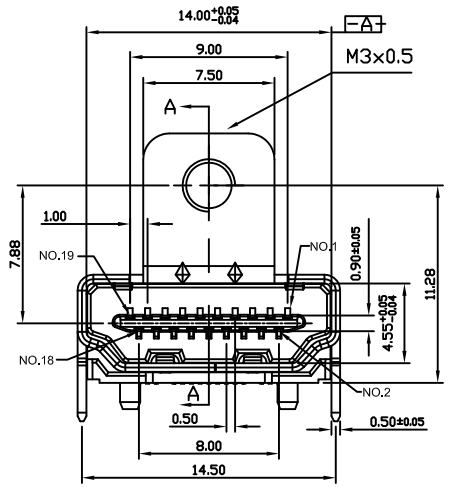
Series  
Type  
Color  
Material

Shell  
N : Nickel Plated

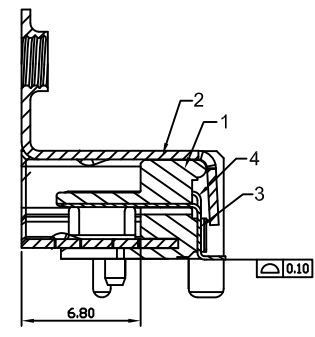
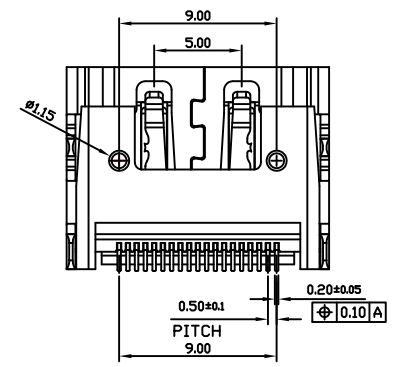
Version  
0 : 3u"  
1 : 5u"  
2 : 15£g"  
3 : 30£g"

L : LCP

REV	ZONE	REVISION	DATE	APPD.



RECOMMENDED PCB LAYOUT  
TOP VIEW



SECTION A-A

NO.	NAME	MATERIAL	PLATING
1	HOUSING	LCP	
2	SHELL	Alloy	Ni-Plated
3	CONTACT 1	Copper Alloy	Gold-Plated
4	CONTACT 2	Copper Alloy	Gold-Plated



POWERWAY ELECTRONICS CO.,LTD.  
博 歲 電 子 股 份 有 限 公 司

COMPUTER NO.			UNIT	SCALE	PART NAME		
D:\DWG\SUD-110MT1			mm	1:1	HDMI A Type 19P/F 90° SMT With Flange		
APPD.	CKD.	DWG.	DATE	TOLERANCE	PART NO.	REV.	
	Aaron	Eric	2010-12-08	0.00mm ± 0.075mm 0.00 mm ± 0.20 mm 0.0 mm ± 0.25 mm		A	

MODEL C-SUD-110MT1\*-\*-\* PAGE 1 OF 1