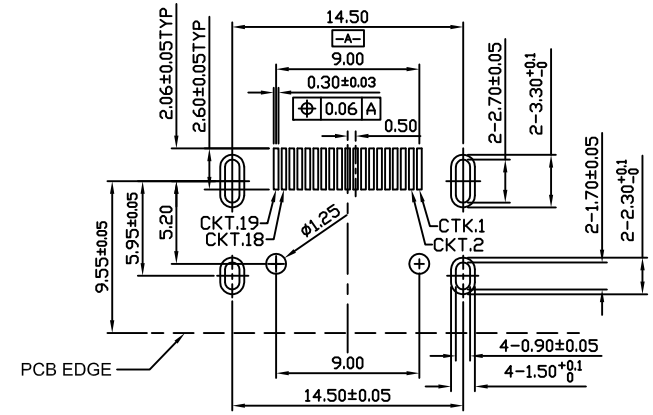
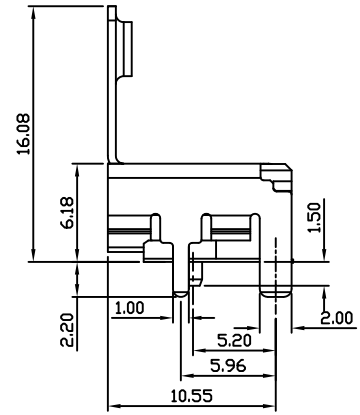
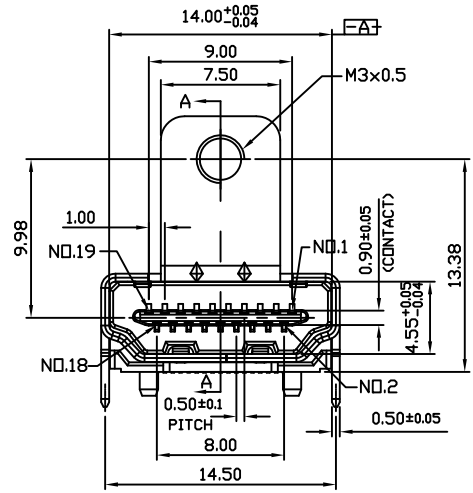
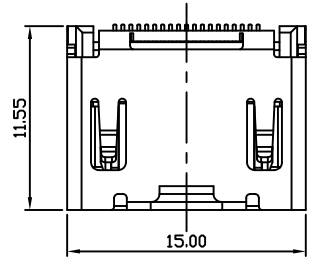


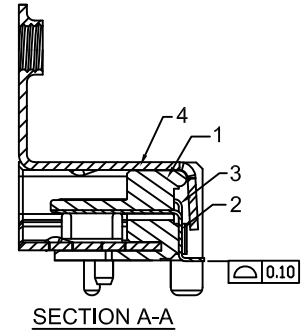
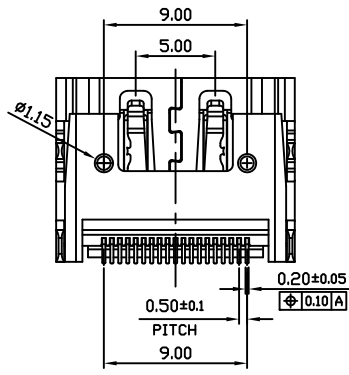
REV	ZONE	REVISION	DATE	APPD.

C-SUD-110MT * -L * N

Series _____ Shell _____
 Type _____ N : Nickel Plated
 Color _____ Gold Plated
 B: Black 0 : 3u"
 1 : 5u"
 2 : 15£g"
 3 : 30£g"
 Material _____
 L : LCP



RECOMMENDED PCB LAYOUT
TOP VIEW



NO.	NAME	MATERIAL
1	HOUSING	LCP
2	CONTACT 1	COPPER ALLOY
3	CONTACT 2	COPPER ALLOY
3	SHELL	ALLOY

PW POWERWAY ELECTRONICS CO.,LTD.
 博 歲 電 子 股 份 有 限 公 司

COMPUTER NO.			UNIT	SCALE	PART NAME	
D:\DWG\SUD-110MT			mm	1:1	HDMI A Type 19P/F 90° SMT With Flange	
APPD.	CKD.	DWG.	DATE	TOLERANCE	PART NO.	REV.
	Aaron	Lucy	2010-12-27	0.000mm ± 0.075mm 0.00 mm ± 0.20 mm 0.0 mm ± 0.25 mm		A.0