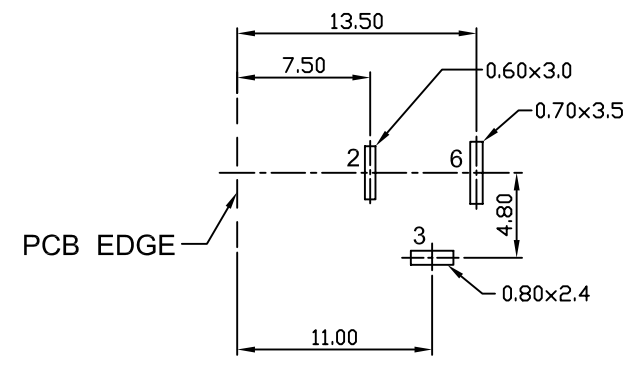
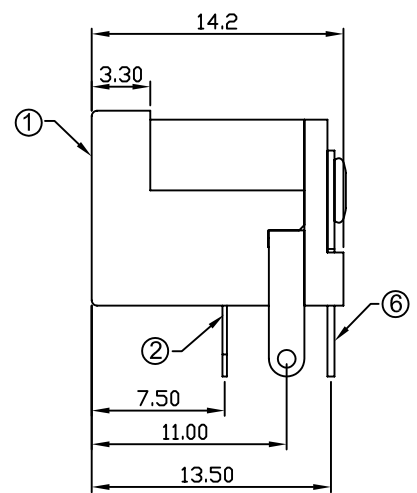
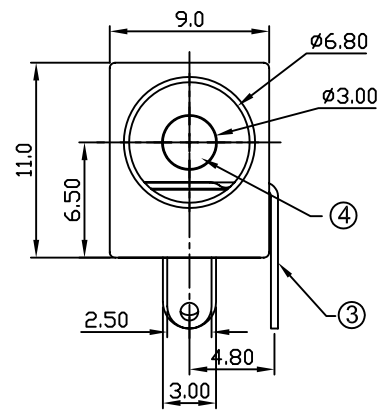
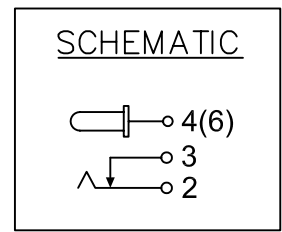
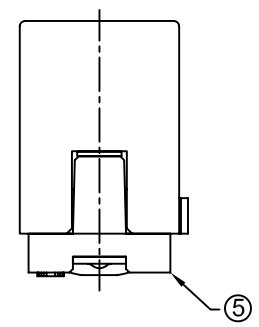


1	2	3	4	5	6	7	8
REV.	ZONE	REVISION				DATE	APPD.



SUGGESTED PCB LAYOUT  
TOP VIEW



NO.	NAME	MATERIAL	Plated
1	HOUSING	PBT	
2	PIN TERM.	PHOS. BRONZE	Tin-Plated
3	PIN TERM.	BRASS	Tin-Plated
4	CENTER PIN	BRASS	Ni-Plated
5	HOUSING COVER	PBT	
6	PIN TERM.	BRASS	Tin-Plated



POWERWAY ELECTRONICS CO.,LTD.  
博 歲 電 子 股 份 有 限 公 司

COMPUTER NO.			UNIT	SCALE	PART NAME	
D:\DWG\SHD-2014D-T			mm	1:1	DC POWER JACK	
APPD.	CKD.	DWG.	DATE	TOLERANCE		REV.
	Michael	Chindge	2008-03-05	0.000mm ± 0.075mm	0.00 mm ± 0.15 mm	A.0
				0.0 mm ± 0.25 mm		

MODEL	SHD-2014D-T	PAGE 1 OF 1
-------	-------------	-------------

A  
B  
C  
D  
E  
F  
G  
H

A  
B  
C  
D  
E  
F  
G  
H

1 2 3 4 5 6 7 8