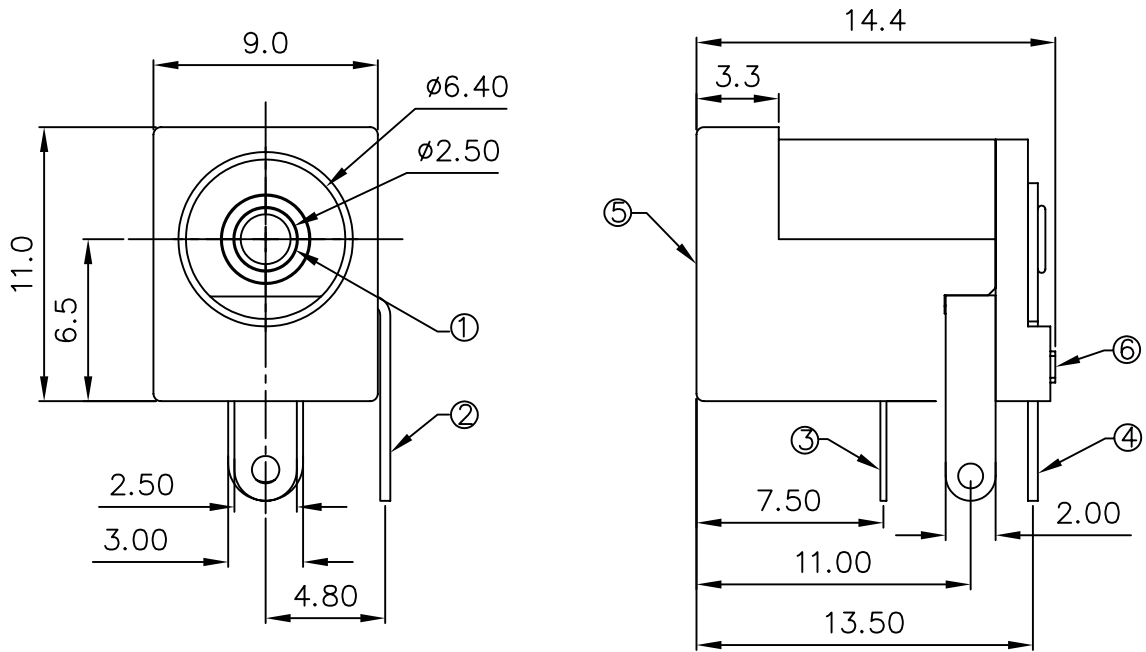
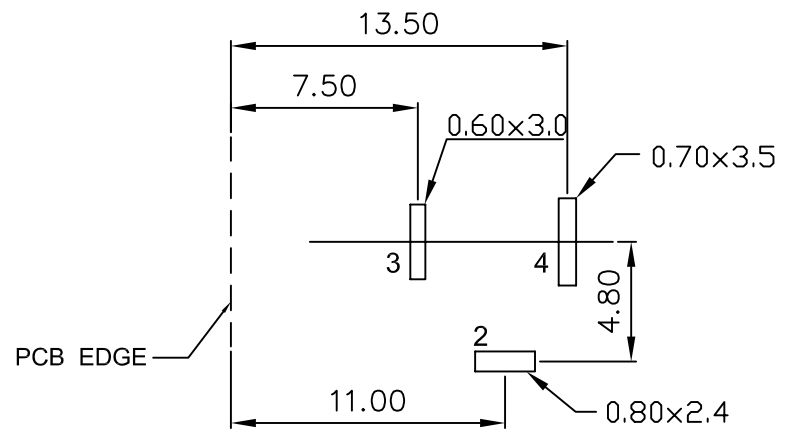


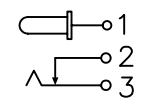
REV	ZONE	REVISION	DATE	APPD.



**SUGGESTED PCB LAYOUT  
TOP VIEW**



**SCHEMATIC**



NO.	DESCRIPTION	MATERIAL	PLAETD
1	PIN	BRASS	Ni-Plated
2	CURVE PIECE	BRASS	Tin-Plated
3	SPRING	PHOSHOR BRONZE	Tin-Plated
4	FLAT PIECE	BRASS	Tin-Plated
5	HOUSING	PBT	
6	COVER	PBT	



**POWERWAY ELECTRONICS CO.,LTD.**  
博 歲 電 子 股 份 有 限 公 司

COMPUTER NO.			UNIT	SCALE	PART NAME	
D:\DWG\SHD-2014LA			mm	1:1	DC POWER JACK	
APPD.	CKD.	DWG.	DATE	TOLERANCE		REV.
	Michael	Kristin	2008-04-03	0.000mm ± 0.075mm	0.00 mm ± 0.15 mm	A.0
				0.0 mm ± 0.25 mm		

MODEL	SHD-2014LA-T	PAGE 1 OF 1
-------	--------------	-------------