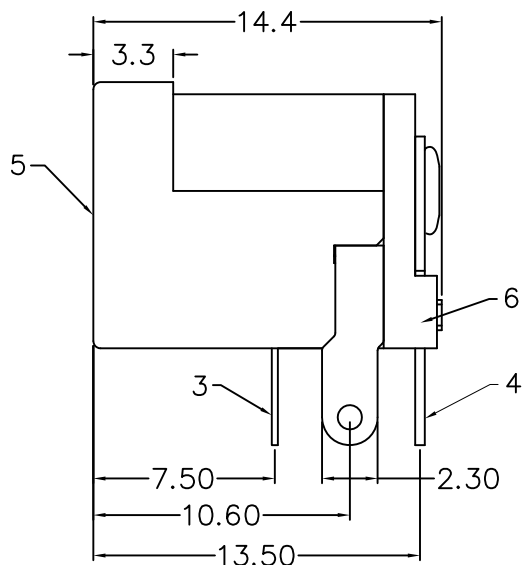
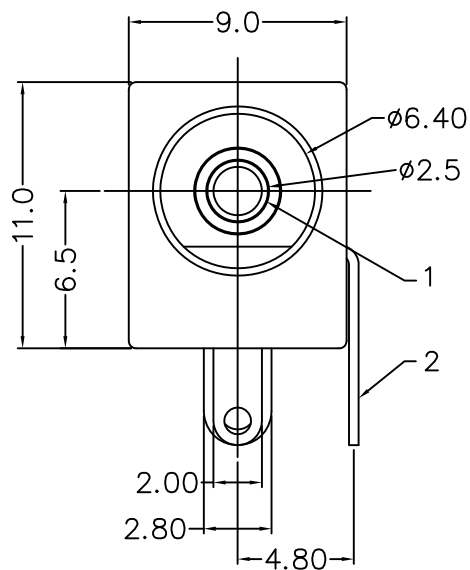
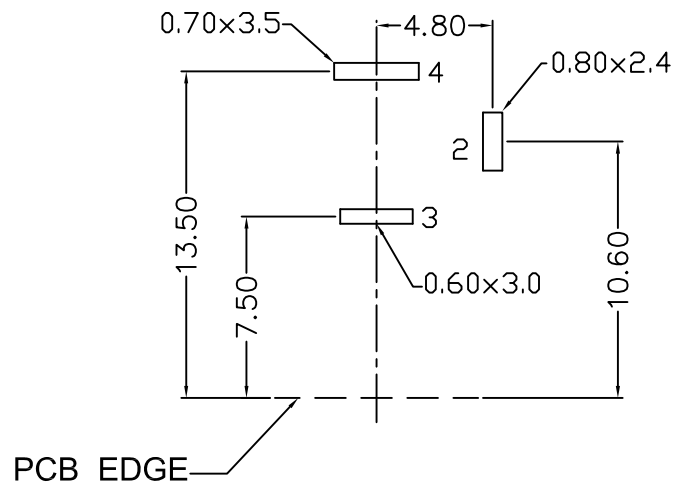


NO.	DESCRIPTION	MATERIAL
1	PIN	BRASS
2	CURVE PIECE	BRASS
3	SPRING	PHOSHOR BRONZE
4	FLAT PIECE	BRASS
5	HOUSING	PBT
6	COVER	PBT

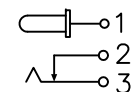
REV	ZONE	REVISION	DATE	APPD.


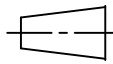


**SUGGESTED PCB LAYOUT  
TOP VIEW**



**SCHMATIC**



POWERWAY ELECTRONICS CO.,LTD. 博歲電子股份有限公司			COMPUTER NO.			UNIT	SCALE	PART NAME	
						mm	1:1	DC POWER JACK	
MODEL	SHD-2014AR-T	PAGE 1 OF 1	APPD.	CKD.	DWG.	DATE	TOLERANCE	 	REV.
				Michael	King	2009-03-09	0.000mm ± 0.075mm 0.00 mm ± 0.15 mm 0.0 mm ± 0.25 mm		A.0