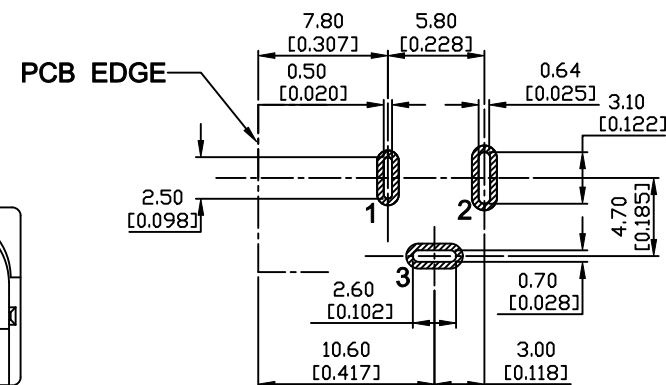
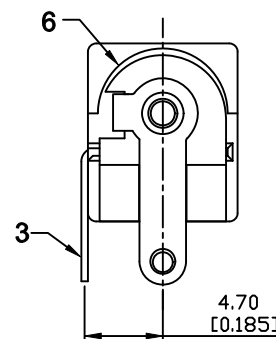
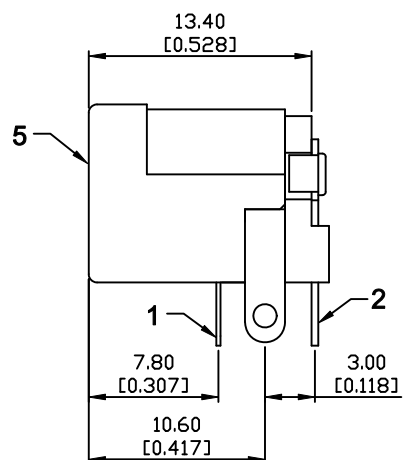
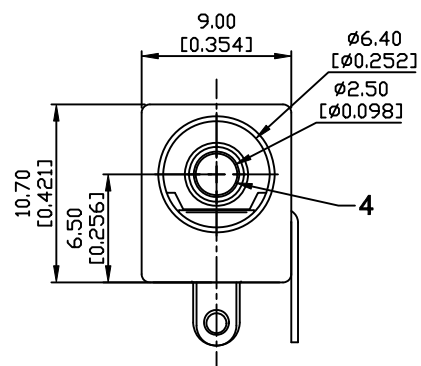
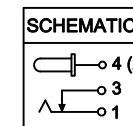
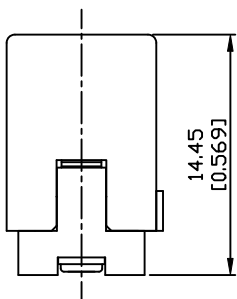


NO.	NAME	MATERIAL	PLATING
1	PIN TERM.	PHOS. BRONZE	Tin-Plated
2	PIN TERM.	BRASS	Tin-Plated
3	PIN TERM.	BRASS	Tin-Plated
4	CENTER PIN	BRASS	Ni-Plated
5	HOUSING	PBT	
6	HOUSING COVER	PBT	

REV.	ZONE	REVISION	DATE	APPD.



**SUGGESTED PCB LAYOUT
TOP VIEW**



PW POWERWAY ELECTRONICS CO.,LTD.
博 歲 電 子 股 份 有 限 公 司

COMPUTER NO.			UNIT	SCALE	PART NAME	
D:\DWG\2014			mm	1:1	DC POWER JACK	
APPD.	CKD.	DWG.	DATE	TOLERANCE		REV.
	Michael	Sunny	2008-12-04	0.000mm iō 0.075mm 0.00 mm iō 0.15 mm 0.0 mm iō 0.25 mm		A.0

MODEL SHD-2014A-T PAGE 1 OF 1