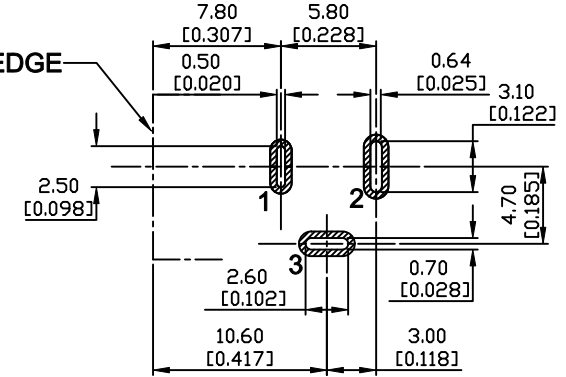
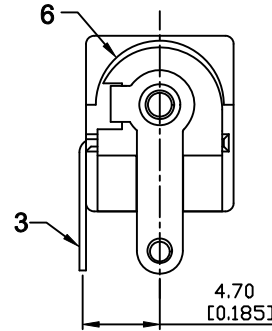
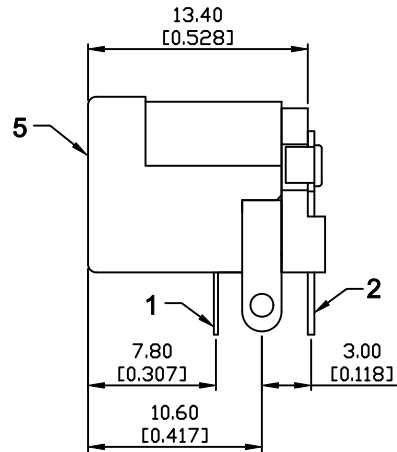
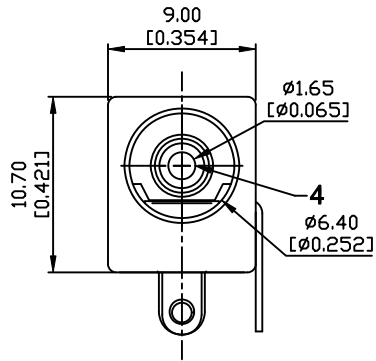
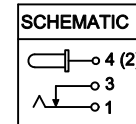
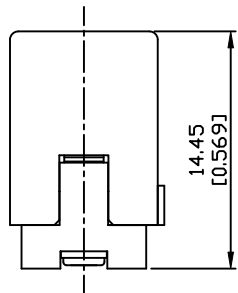


NO.	NAME	MATERIAL	PLATING
1	PIN TERM.	PHOS. BRONZE	Tin-Plated
2	PIN TERM.	BRASS	Tin-Plated
3	PIN TERM.	BRASS	Tin-Plated
4	CENTER PIN	BRASS	Ni-Plated
5	HOUSING	PBT	
6	HOUSING COVER	PBT	

REV	ZONE	REVISION	DATE	APPD.



**SUGGESTED PCB LAYOUT  
TOP VIEW**



**PW** POWERWAY ELECTRONICS CO.,LTD.  
博歲電子股份有限公司

COMPUTER NO.			UNIT	SCALE	PART NAME	
D:\DWG\2014			mm	1:1	DC POWER JACK	
APPD.	CKD.	DWG.	DATE	TOLERANCE		REV.
	Aaron	Eric	2009-12-17	0.000mm i0 0.075mm 0.00 mm i0 0.15 mm 0.0 mm i0 0.25 mm		A.0

MODEL SHD-2014C-T PAGE 1 OF 1

