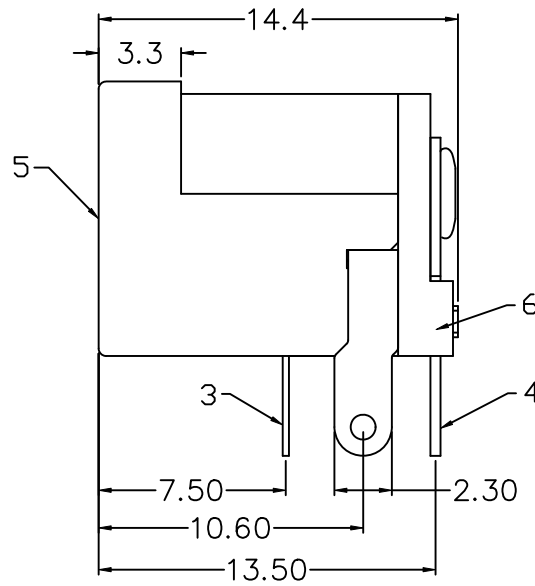
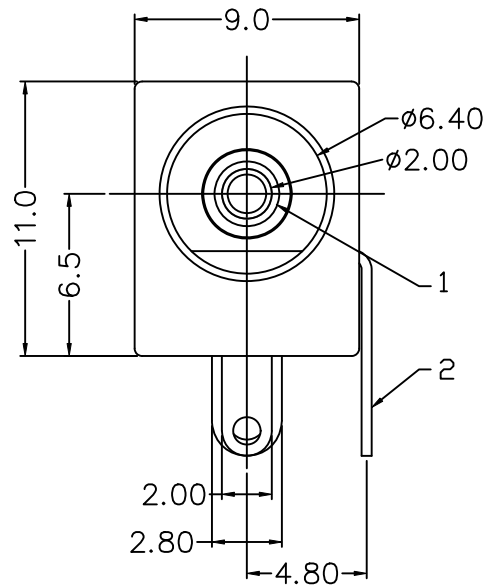
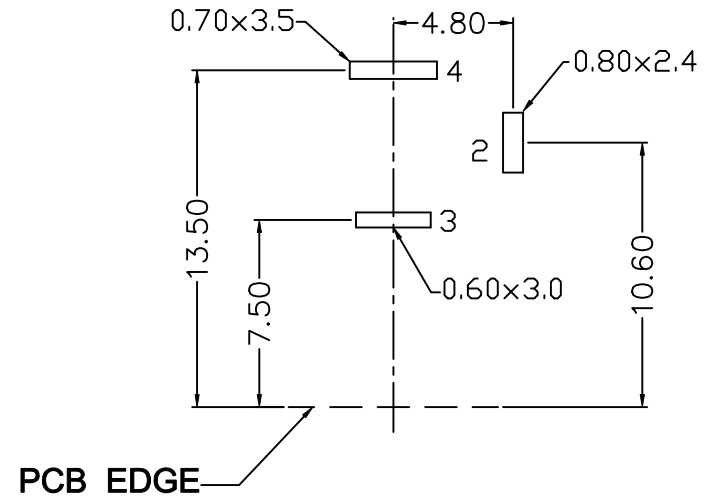


NO.	DESCRIPTION	MATERIAL
1	PIN	BRASS
2	CURVE PIECE	BRASS
3	SPRING	PHOSPHOR BRONZE
4	FLAT PIECE	BRASS
5	HOUSING	PBT
6	COVER	PBT

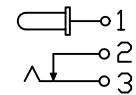
REV	ZONE	REVISION	DATE	APPD.



**SUGGESTED PCB LAYOUT
TOP VIEW**



SCHEMATIC



PW POWERWAY ELECTRONICS CO.,LTD.
博 歲 電 子 股 份 有 限 公 司

COMPUTER NO.			UNIT	SCALE	PART NAME	
D:\DWG\SHD-2014R			mm	1:1	DC POWER JACK	
APPD.	CKD.	DWG.	DATE	TOLERANCE		REV.
	Aaron	Eric	2010-05-12	0.000mm ± 0.075mm 0.00 mm ± 0.15 mm 0.0 mm ± 0.25 mm		A.0

MODEL SHD-2014R-T PAGE 1 OF 1