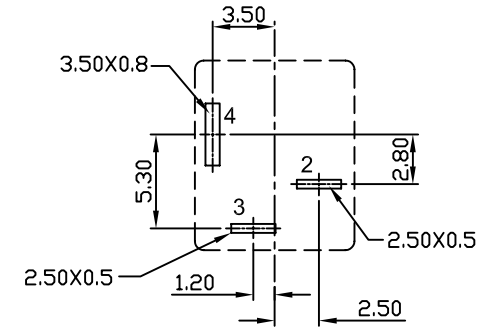
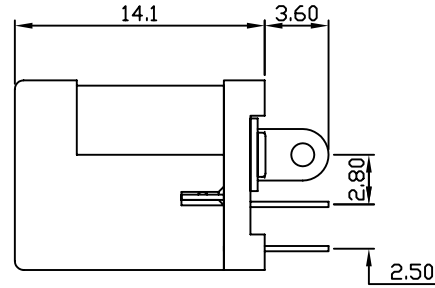
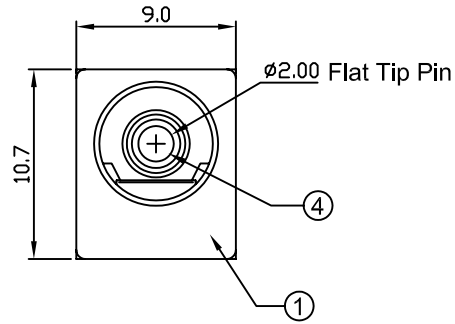
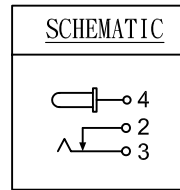
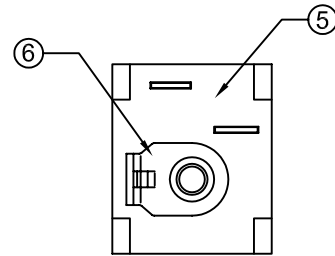
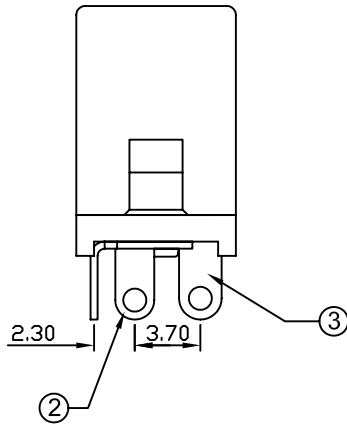


REV.	ZONE	REVISION	DATE	APPD.



SUGGESTED PCB LAYOUT
TOP VIEW



NO.	NAME	MATERIAL	MATERIAL
1	HOUSING	PBT	
2	PIN TERM.	PHOS. BRONZE	Tin-Plated
3	PIN TERM.	BRASS	Tin-Plated
4	CENTER PIN	BRASS	Ni-Plated
5	HOUSING COVER	PBT	
6	PIN TERM.	BRASS	Tin-Plated



POWERWAY ELECTRONICS CO.,LTD.
博 歲 電 子 股 份 有 限 公 司

COMPUTER NO.			UNIT	SCALE	PART NAME	
D:\DWG\SHD-2012-T			mm	1:1	DC POWER JACK	
APPD.	CKD.	DWG.	DATE	TOLERANCE		REV.
	Michael	David	2007-09-14	0.000mm ± 0.075mm	0.00 mm ± 0.15 mm	A.0
				0.0 mm ± 0.25 mm		

MODEL SHD-2012-T PAGE 1 OF 1