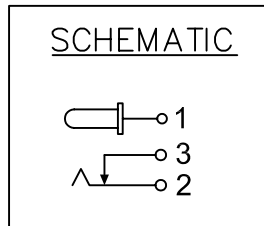
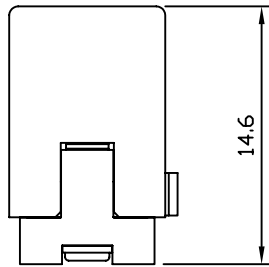
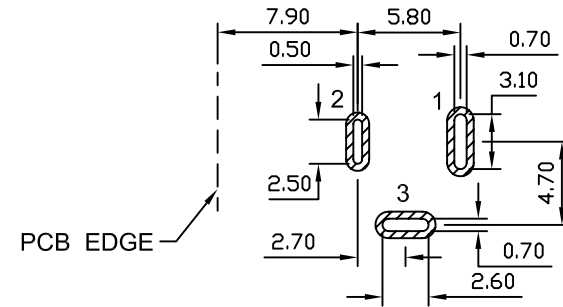
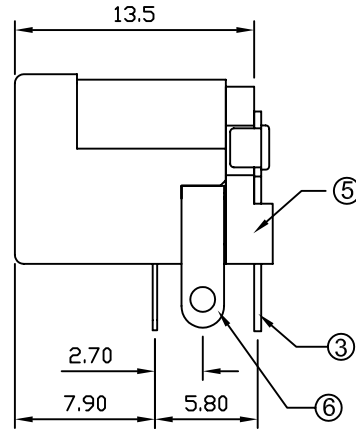
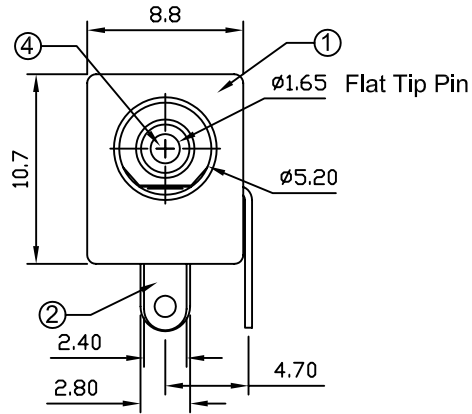


REV.	ZONE	REVISION	DATE	APPD.



SUGGESTED PCB LAYOUT  
TOP VIEW



NO.	NAME	MATERIAL	PLATING
1	HOUSING	PBT	
2	PIN TERM.	PHOS. BRONZE	Tin-Plating
3	PIN TERM.	BRASS	Tin-Plating
4	CENTER PIN	BRASS	Ni-Plating
5	HOUSING COVER	PBT	
6	PIN TERM.	BRASS	Tin-Plating



POWERWAY ELECTRONICS CO.,LTD.  
博 歲 電 子 股 份 有 限 公 司

COMPUTER NO.			UNIT	SCALE	PART NAME	
D:\DWG\ASHD-2014C-T			mm	1:1	DC POWER JACK	
APPD.	CKD.	DWG.	DATE	TOLERANCE		REV.
	Michael	David	2007-11-19	0.000mm ± 0.075mm 0.00 mm ± 0.15 mm 0.0 mm ± 0.25 mm		
MODEL	ASHD-2014C-T	PAGE 1 OF 1				A.0