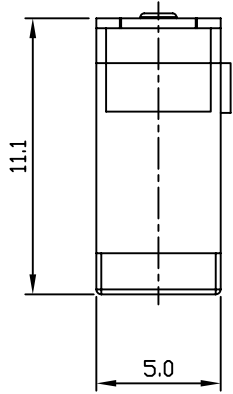
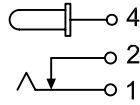


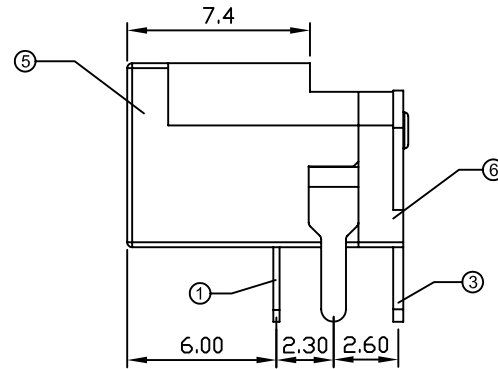
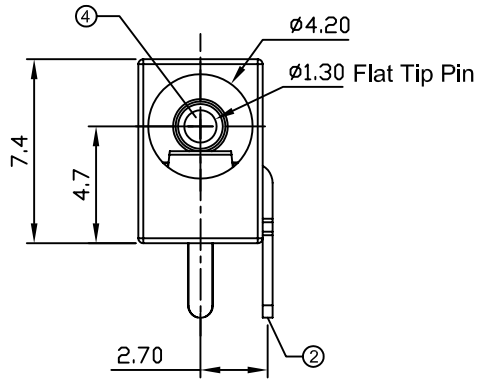
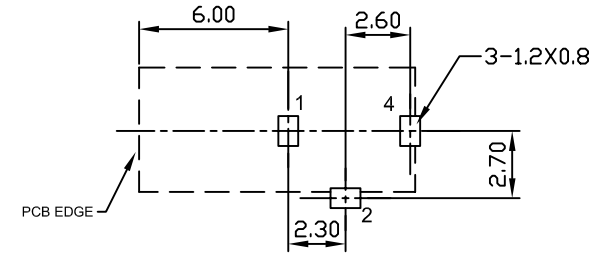
| REV | ZONE | REVISION | DATE | APPD. |
|-----|------|----------|------|-------|
| | | | | |
| | | | | |
| | | | | |



SCHEMATIC



**SUGGESTED PCB LAYOUT
TOP VIEW**



| NO. | NAME | MATERIAL | PLATING |
|-----|---------------|--------------|------------|
| 1 | PIN TERM. | PHOS. BRONZE | Tin-Plated |
| 2 | PIN TERM. | BRASS | Tin-Plated |
| 3 | PIN TERM. | BRASS | Tin-Plated |
| 4 | CENTER PIN | BRASS | Ni-Plated |
| 5 | HOUSING | PBT | |
| 6 | HOUSING COVER | PBT | |



POWERWAY ELECTRONICS CO.,LTD.

博 崑 電 子 股 份 有 限 公 司

COMPUTER NO.

D:\DWG\1302

UNIT

mm

SCALE

1:1

PART NAME

DC POWER JACK

APPD.

CKD.

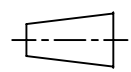
DWG.

DATE

2007-08-20

TOLERANCE

0.000mm ± 0.075mm
0.00 mm ± 0.15 mm
0.0 mm ± 0.25 mm



REV.

A.0

MODEL

SHD-1302-T

PAGE 1 OF 1