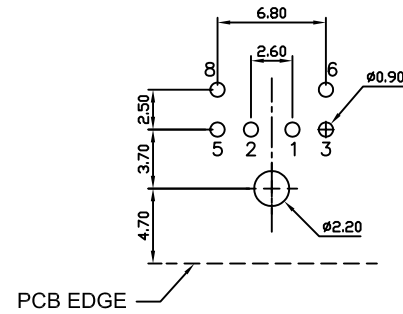
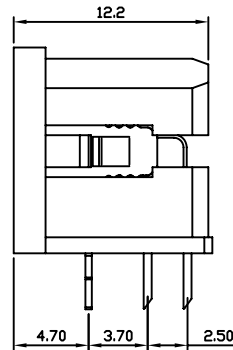
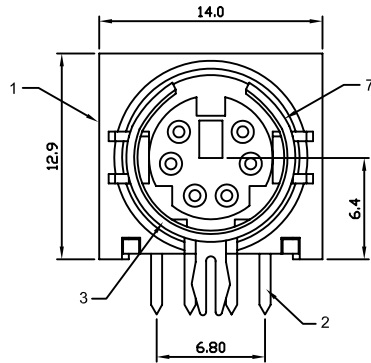
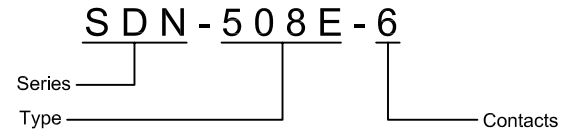
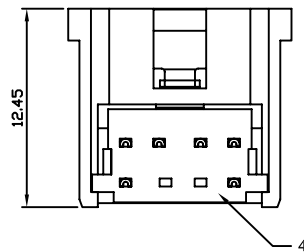


NO.	NAME	MATERIAL
1	HOUSING	PBT / Nylon
2	PIN TERM.	PHOS. BRONZE
3	SHELL	BRASS
4	HOUSING COVER	PBT

REV.	ZONE	REVISION	DATE	APPD.



**SUGGESTED PCB LAYOUT
TOP VIEW**



POWERWAY ELECTRONICS CO.,LTD.
博 歲 電 子 股 份 有 限 公 司

COMPUTER NO.			UNIT	SCALE	PART NAME	
D:\DWG\SDN-508E			mm	1:1	MINI DIN JACK	
APPD.	CKD.	DWG.	DATE	TOLERANCE		REV.
	Michael	Sunny	2008-04-22	0.000mm ± 0.075mm 0.00 mm ± 0.15 mm 0.0 mm ± 0.25 mm		
MODEL	SDN-508E-6	PAGE 1 OF 1				A.0