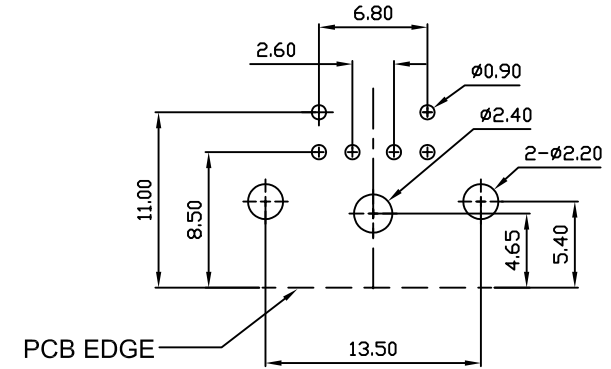
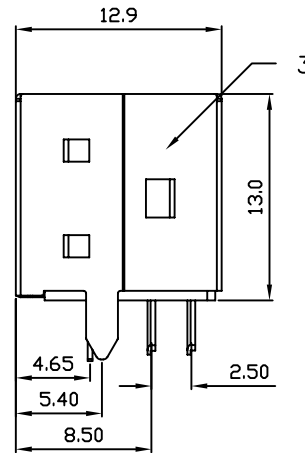
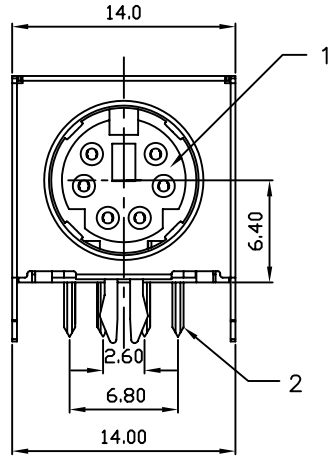
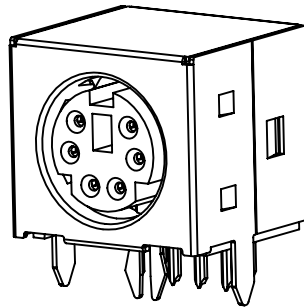
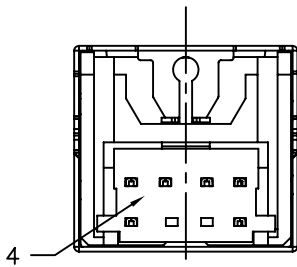


NO.	NAME	MATERIAL
1	HOUSING	PBT / Nylon
2	PIN TERM.	PHOS. BRONZE
3	SHELL	BRASS
4	HOUSING COVER	PBT

REV	ZONE	REVISION	DATE	APPD.



SUGGESTED PCB LAYOUT
TOP VIEW




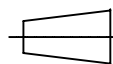
SDN-508B-6-*N*

Series ————
 Type ————
 Contacts ————
 Housing Color ————
 Non : Black

Housing
 Non : PBT
 L : Nylon
 Shell
 N : Nickel Plated



POWERWAY ELECTRONICS CO.,LTD.
 博 歲 電 子 股 份 有 限 公 司

COMPUTER NO.			UNIT	SCALE	PART NAME	
D : \ DWG \ SDN-508B			mm	1 : 1	MINI DIN JACK	
APPD.	CKD.	DWG.	DATE	TOLERANCE		REV.
	Michael	Valiant	2007-07-23	0.000mm ± 0.075mm	0.00 mm ± 0.15 mm	  A.0
				0.0 mm ± 0.25 mm		

MODEL SDN-508B-6-N* PAGE 1 OF 1