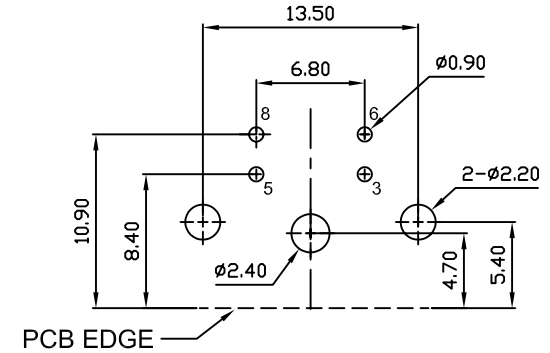
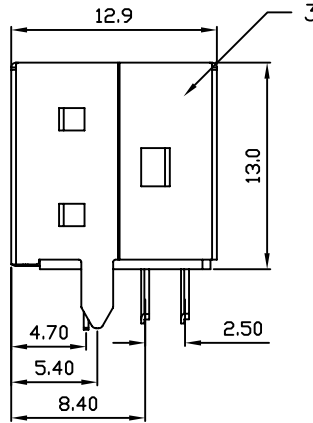
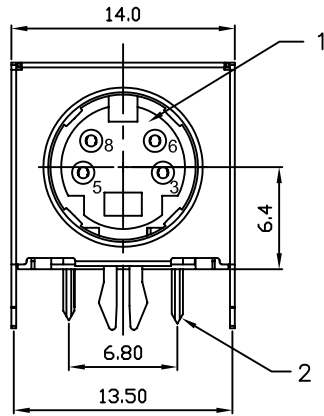
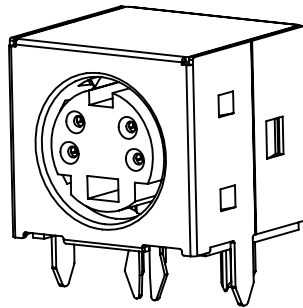
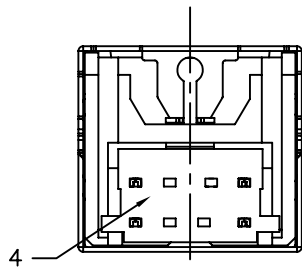


NO.	NAME	MATERIAL
1	HOUSING	PBT / Nylon
2	PIN TERM.	PHOS. BRONZE
3	SHELL	BRASS
4	HOUSING COVER	PBT

REV.	ZONE	REVISION	DATE	APPD.



SUGGESTED PCB LAYOUT
TOP VIEW



SDN-508B-4-*N*

Series →
Type →
Contacts →
Housing Color → Non : Black

Housing → Non : PBT
L : Nylon
Shell → N : Nickel Plated



POWERWAY ELECTRONICS CO.,LTD.
博 歲 電 子 股 份 有 限 公 司

COMPUTER NO.			UNIT	SCALE	PART NAME	
D : \ DWG \ SDN-508B			mm	1 : 1	MINI DIN JACK	
APPD.	CKD.	DWG.	DATE	TOLERANCE		REV.
	Michael	Valiant	2007-06-25	0.000mm ± 0.075mm	0.00 mm ± 0.15 mm	A.0
				0.0 mm ± 0.25 mm		

MODEL SDN-508B-4-N* PAGE 1 OF 1