

NO.	NAME	MATERIAL
1	Housing	PBT / Nylon
2	PIN TERM.	PHOS. BRONZE
3	SHELL	Brass

SUB-110PM*-*-*

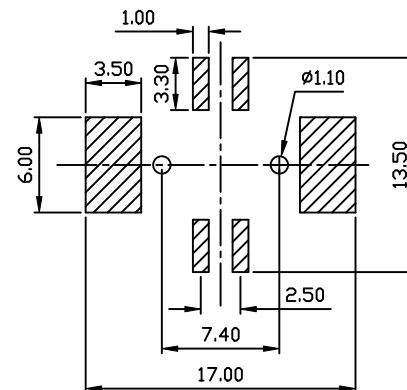
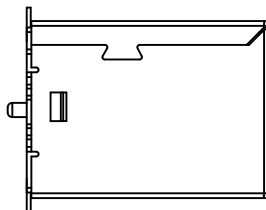
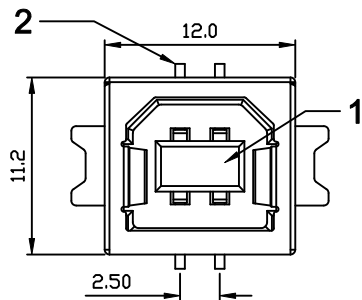
Series _____
 Type _____
 Color _____
 B : Black
 W : White

Shell
 T : Tin Plated
 Z : Nickel Plated (Shiny Surface)

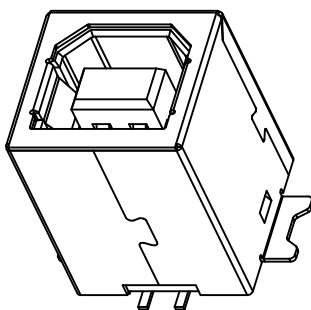
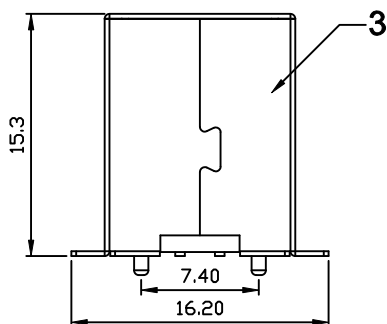
Version
 1 : 1.1
 2 : 2.0

Material
 B : PBT
 P : Nylon

REV	ZONE	REVISION	DATE	APPD.



SUGGESTED PCB LAYOUT



POWERWAY ELECTRONICS CO.,LTD.
博 歲 電 子 股 份 有 限 公 司

COMPUTER NO.

UNIT

SCALE

PART NAME

D:\DWG\SUB-110P

mm

1 : 1

USB. TYPE B
 180° SMT

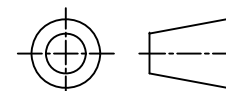
APPD.

CKD.

DWG.

DATE

TOLERANCE



REV.

MODEL

SUB-110PM*-*-*

PAGE 1 OF 1

Aaron

Eric

JAN-26-10

0.000mm ± 0.075mm
 0.00 mm ± 0.20 mm
 0.0 mm ± 0.30 mm

A.0