

| NO. | NAME | MATERIAL | FINISH |
|-----|------------|--------------|-----------------|
| 1 | HOUSING | PBT or Nylon | |
| 2 | TERMINAL 1 | PHOS. BRONZE | Gold-Tin Plated |
| 3 | TERMINAL 2 | PHOS. BRONZE | Gold-Tin Plated |
| 4 | SHELL | BRASS | Ni Plated |

| REV | ZONE | REVISION | DATE | APPD. |
|-----|------|----------|------|-------|
| | | | | |
| | | | | |
| | | | | |

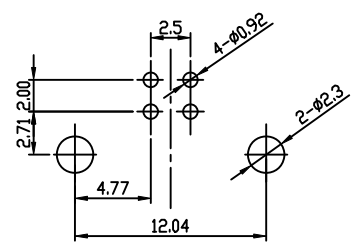
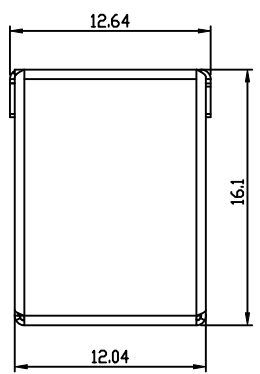
SUB-110H4*-*-*

Series
Type
Color
B : Black
W : White

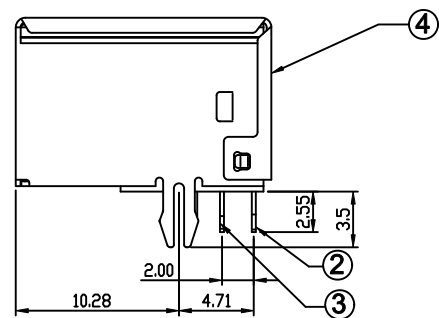
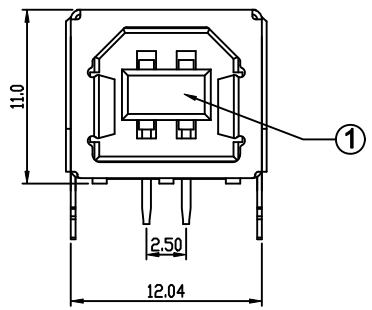
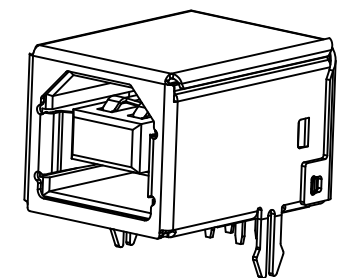
Shell
Z : Nickel Plated (Shiny Surface)

Version
1 : 1.1
2 : 2.0

Material
B : PBT
P : Nylon



RECOMMENDED PCB LAYOUT
TOP VIEW



POWERWAY ELECTRONICS CO.,LTD.
博歲電子股份有限公司

| | | | | | | |
|----------------------|-------|------|------------|--|-----------------------------|------|
| COMPUTER NO. | | | UNIT | SCALE | PART NAME | |
| D : \ DWG \ SUB-110H | | | mm | 1 : 1 | USB. TYPE B FLAT 90° DIP | |
| APPD. | CKD. | DWG. | DATE | TOLERANCE | | REV. |
| | Aaron | Eric | 2010-02-22 | 0.000mm ± 0.075mm 0.00 mm ± 0.15 mm 0.0 mm ± 0.25 mm | | A.0 |

| | | |
|-------|----------------|-------------|
| MODEL | SUB-110H4*-*-* | PAGE 1 OF 1 |
|-------|----------------|-------------|

