

NO.	NAME	MATERIAL
1	HOUSING	PBT / Nylon
2	PIN TERM.	PHOS. BRONZE
3	SHELL	BRASS

SUB-110H1*-*-*

Series

Type

Color

B : Black

W : White

Shell

Z : Nickel Plated (Shiny Surface)

Version

1 : 1.1

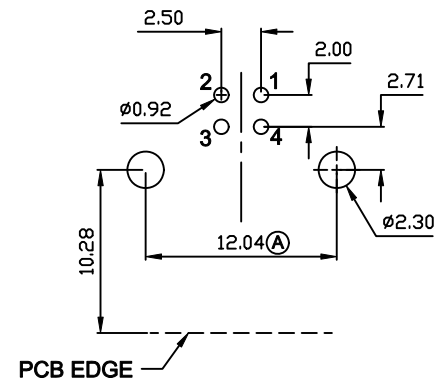
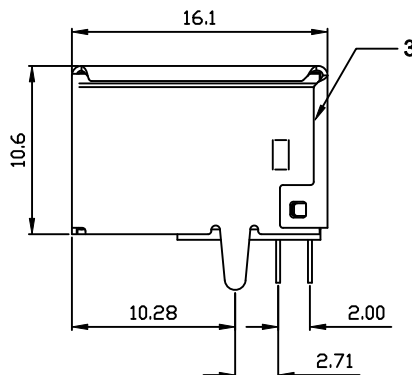
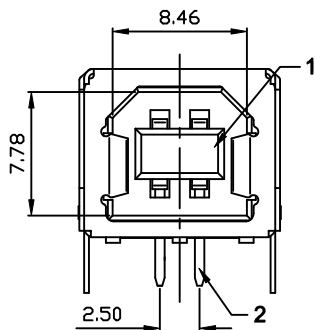
2 : 2.0

Material

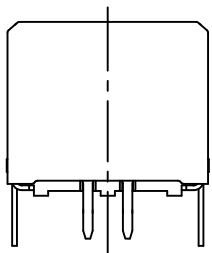
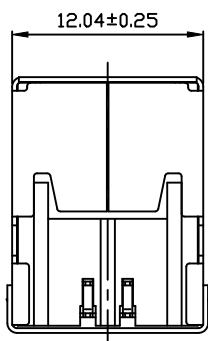
B : PBT

P : Nylon

REV	ZONE	REVISION	DATE	APPD.



**SUGGESTED PCB LAYOUT
TOP VIEW**



POWERWAY ELECTRONICS CO.,LTD.
博歲電子股份有限公司

COMPUTER NO.

UNIT

SCALE

PART NAME

D:\DWG\SUB-110H1

mm

1:1

**USB. TYPE B
FLAT 90° DIP**

APPD.

CKD.

DWG.

DATE

TOLERANCE

REV.

MODEL

SUB-110H1*-*-*

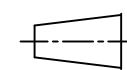
PAGE 1 OF 1

Aaron

Eric

2010-06-17

0.000mm ± 0.075mm
0.00 mm ± 0.15 mm
0.0 mm ± 0.25 mm



A.0