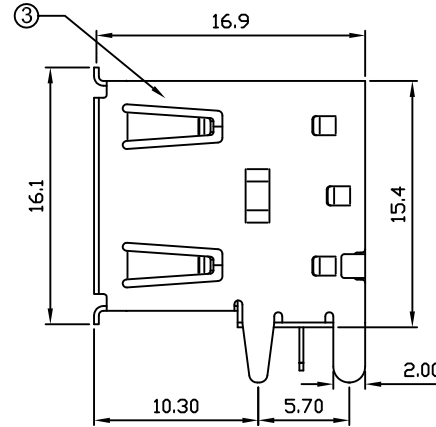
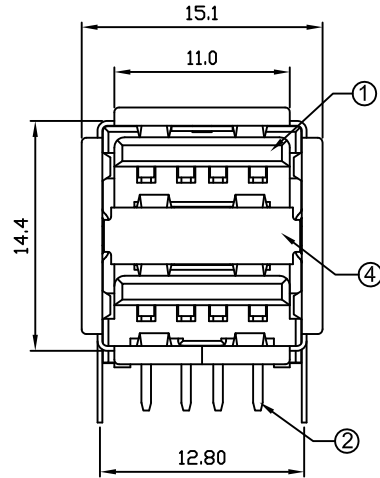
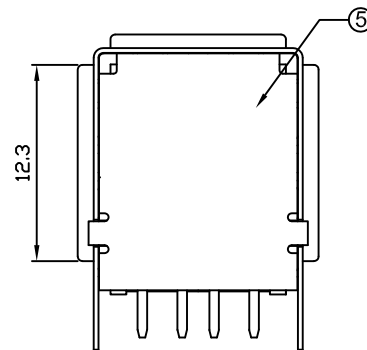
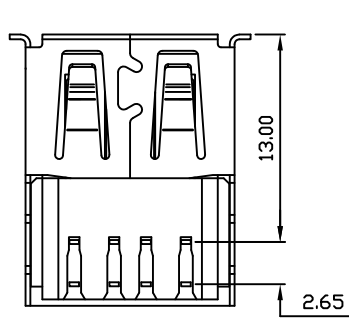
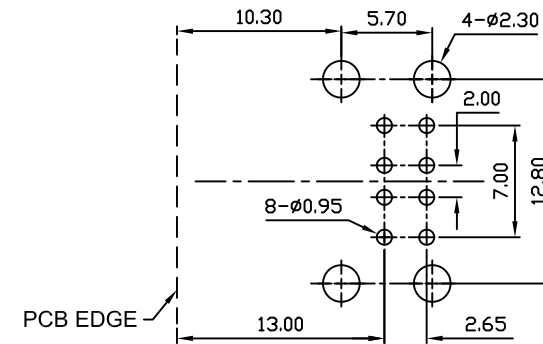


NO.	NAME	MATERIAL
1	HOUSING	PBT / Nylon
2	PIN TERM.	PHOS. BRONZE
3	SHELL	BRASS/ SPCC
4	SHELL	BRASS
5	SHELL	SPCC

REV	ZONE	REVISION	DATE	APPD.
A.1	Ⓐ	增加Foggy Surface敘述	2009.3.24	Aaron



**SUGGESTED PCB LAYOUT  
TOP VIEW**



**SUA-210H3\*-\*-\***

- Series
- Type
- Color
- Shell
  - N : Nickel Plated (Foggy Surface)
  - T : Tin Plated
  - F : SPCC
- Version
  - 1 : 1.1
  - 2 : 2.0
- Material
  - B : PBT
  - P : Nylon



POWERWAY ELECTRONICS CO.,LTD.  
博 歲 電 子 股 份 有 限 公 司

COMPUTER NO.

UNIT

SCALE

PART NAME

D : \ DWG \ SUA-210H3

mm

1 : 1

DOUBLE USB. TYPE A

APPD.

CKD.

DWG.

DATE

TOLERANCE

REV.

MODEL

SUA-210H3\*-\*-\*

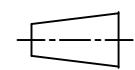
PAGE 1 OF 1

Nick

Aaron

2007-05-07

0.000mm ± 0.075mm  
0.00 mm ± 0.20 mm  
0.0 mm ± 0.30 mm



A.1