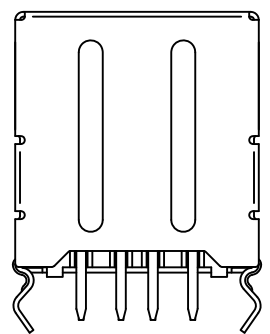
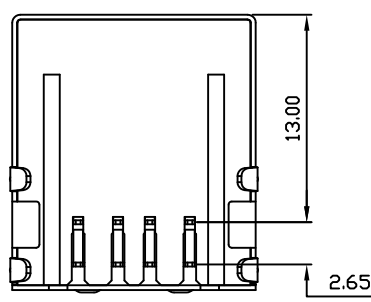
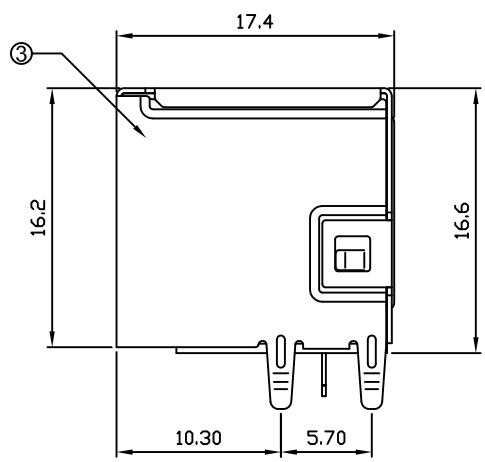
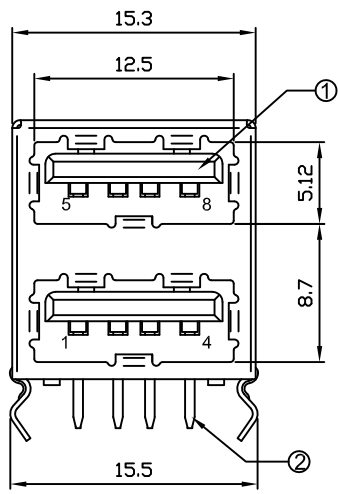


NO.	NAME	MATERIAL
1	HOUSING	PBT / Nylon
2	PIN TERM.	Copper Alloy
3	SHELL	Alloy

REV	ZONE	REVISION	DATE	APPD.



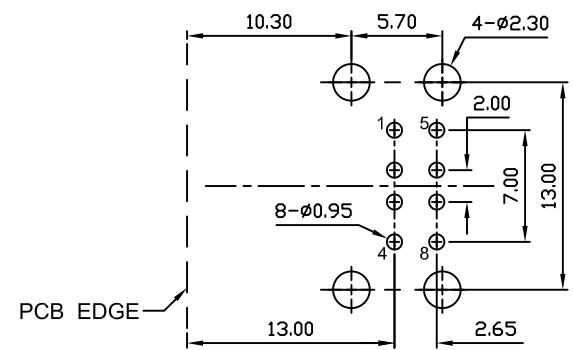
SUA-210H2*-*-*

Series ————
 Type ————
 Color ————
 B : Black
 W : White

Shell
 N : Nickel Plated (Foggy Surface)

Version
 1 : 1.1
 2 : 2.0

Material
 B : PBT
 P : Nylon



RECOMMENDED PCB LAYOUT
TOP VIEW



POWERWAY ELECTRONICS CO.,LTD.
博 歲 電 子 股 份 有 限 公 司

COMPUTER NO.			UNIT	SCALE	PART NAME	
D : \DWG \ SUA-210H2			mm	1 : 1	DOUBLE USB. TYPE A	
APPD.	CKD.	DWG.	DATE	TOLERANCE		REV.
	Aaron	Eric	2010-10-27	0.000mm ± 0.075mm 0.00 mm ± 0.15 mm 0.0 mm ± 0.25 mm		A.0

MODEL SUA-210H2*-*-* PAGE 1 OF 1