

NO.	NAME	MATERIAL
1	HOUSING	PBT / Nylon
2	PIN TERM.	PHOS. BRONZE
3	SHELL	BRASS / SPCC
4	SHELL	BRASS

SUA-210H1 * - * * *

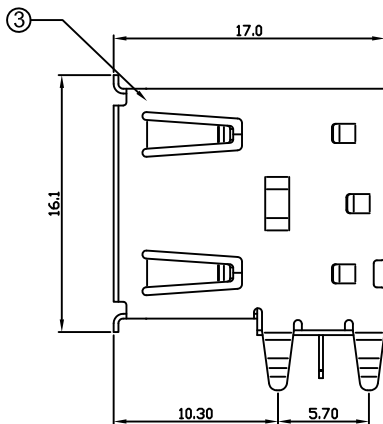
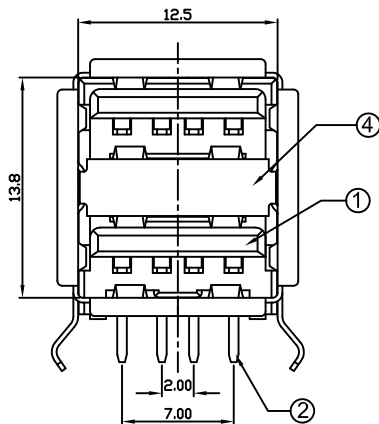
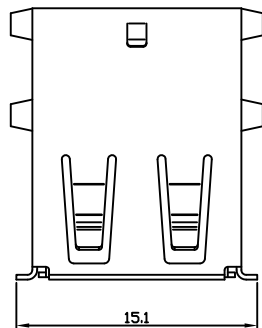
Series _____
 Type _____
 Color _____
 B : Black
 W : White

Shell
 T : Tin Plated
 F : SPCC
 N : Nickel Plated (Foggy Surface)

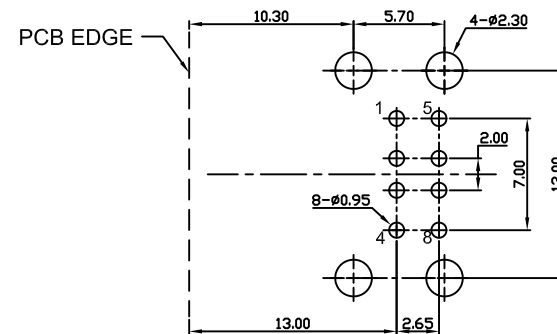
Version
 1 : 1.1
 2 : 2.0

Material
 B : PBT
 P : Nylon

REV	ZONE	REVISION	DATE	APPD.
A.1	(A)	增加Foggy Surface敘述	2009.3.24	Aaron



SUGGESTED PCB LAYOUT TOP VIEW



PW POWERWAY ELECTRONICS CO.,LTD.
 博 歲 電 子 股 份 有 限 公 司

COMPUTER NO.			UNIT	SCALE	PART NAME	
D : \DWG \ SUA-210H1			mm	1 : 1	DOUBLE USB. TYPE A	
APPD.	CKD.	DWG.	DATE	TOLERANCE		REV.
	Michael	Michael	2007-08-26	0.000mm ± 0.075mm 0.00 mm ± 0.15 mm 0.0 mm ± 0.25 mm		A.1