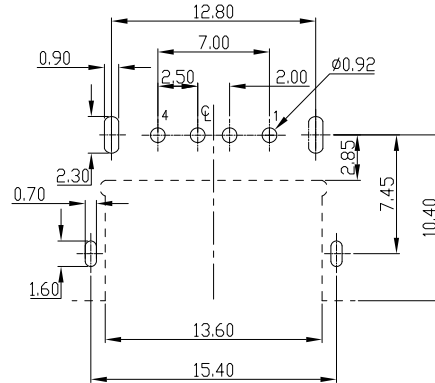
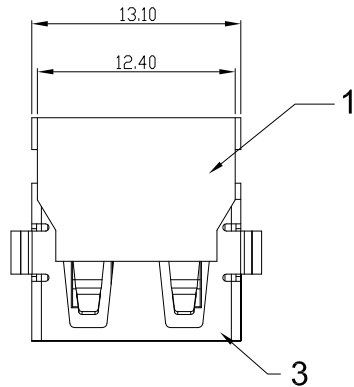
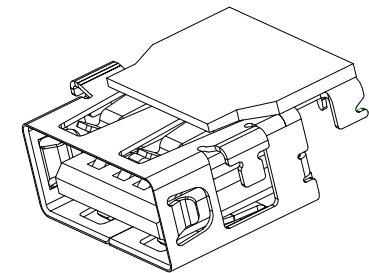
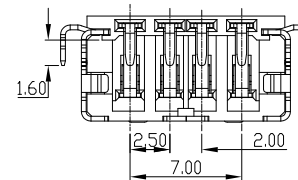
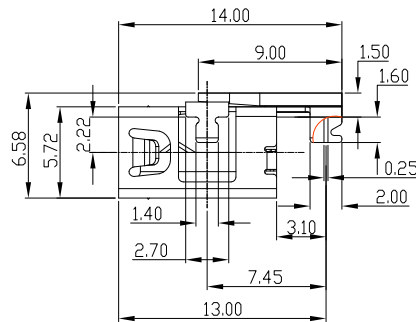
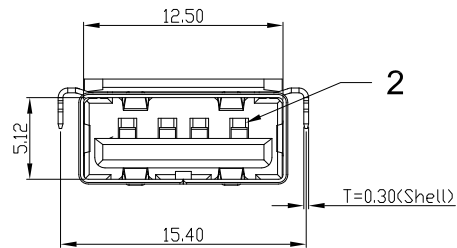


NO.	NAME	MATERIAL	FINISH
1	HOUSING	Nylon / LCP	
2	TERMINAL	PHOS. BRONZE	Gold-Tin Plated
3	SHELL	PHOS. BRONZE	Ni Plated

REV	ZONE	REVISION	DATE	APPD.



RECOMMEND PCB LAYOUT
TOP VIEW



SUA-110EF * - * * *

Series ————
 Type ————
 Housing Color ————
 B : Black
 W : White
 Material ————
 P : Nylon
 L : LCP

Shell
 H : Nickel Plated

Version
 1 : 1.1
 2 : 2.0



POWERWAY ELECTRONICS CO.,LTD.
 博 歲 電 子 股 份 有 限 公 司

COMPUTER NO.

D : \ DWG \ SUA-110EF
 APPD. CKD. DWG.

UNIT

mm

DATE

2009-12-28

SCALE

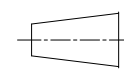
1 : 1

TOLERANCE

0.000mm ± 0.075mm
 0.00 mm ± 0.15 mm
 0.0 mm ± 0.25 mm

PART NAME

USB. TYPE A REVERSE
 FLAT 90° DIP



REV.

A.0

MODEL

SUA-110EF * - * * *

PAGE 1 OF 1

Chindge

Eric-wu