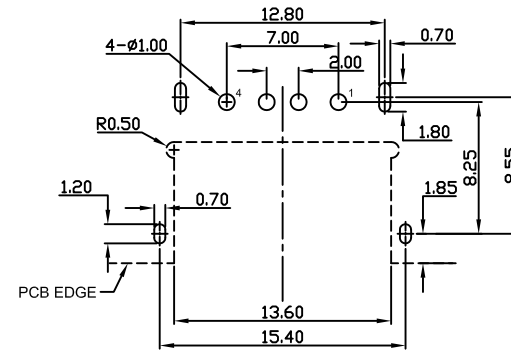
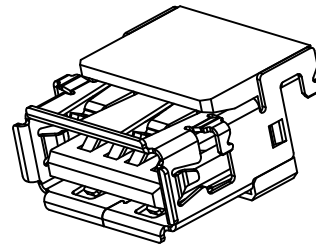
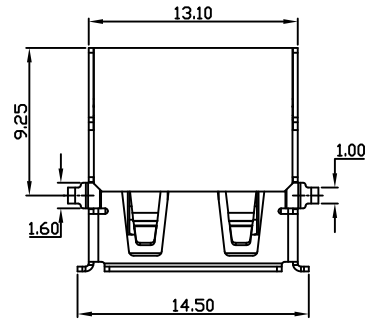


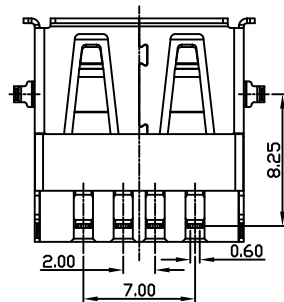
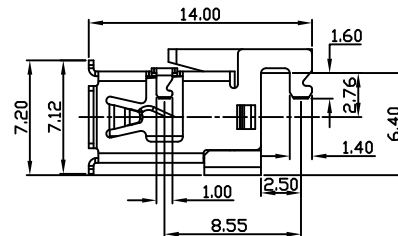
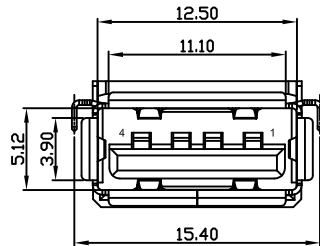
NO.	NAME	MATERIAL	FINISH
1	HOUSING	Nylon / Lcp	
2	CONTACT	PHOS. BRONZE	Gold-Tin Plated
3	SHELL	BRASS	Ni Plated

REV	ZONE	REVISION	DATE	APPD.



RECOMMENDED PCB LAYOUT
TOP VIEW

RECOMMENDED PCB THICKNESS: 1.20 ± 0.05mm



SUA-110EA * - * * *

Series ————
 Type ————
 B: Black ————
 Material ————
 P : Nylon
 L : Lcp

Shell
 N : Nickel Plated

Version
 1 : 1.1
 2 : 2.0



POWERWAY ELECTRONICS CO.,LTD.
 博 歲 電 子 股 份 有 限 公 司

COMPUTER NO.			UNIT	SCALE	PART NAME	
D : \DWG \SUA-110EA			mm	1 : 1	USB. TYPE A REVERSE FLAT 90° DIP	
APPD.	CKD.	DWG.	DATE	TOLERANCE		REV.
	Michael	Bike	2009-11-13	0.000mm ± 0.075mm 0.00 mm ± 0.15 mm 0.0 mm ± 0.25 mm		A.0

MODEL SUA-110EA*-*-* * PAGE 1 OF 1