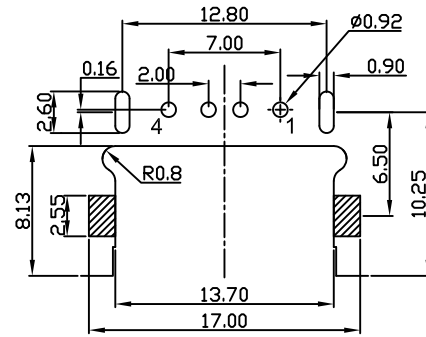
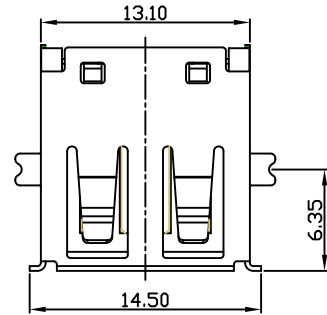


NO.	NAME	MATERIAL	FINISH
1	HOUSING	FR52 / LCP	
2	TERMINAL	PHOS. BRONZE	Gold-Tin Plated
3	SHELL	BRASS	Ni Plated

REV	ZONE	REVISION	DATE	APPD.



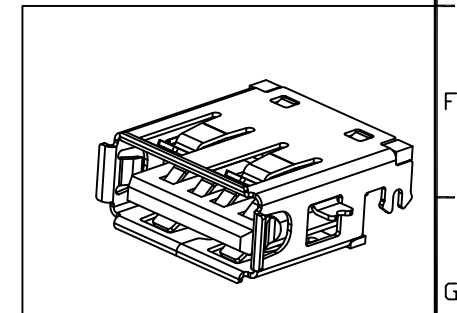
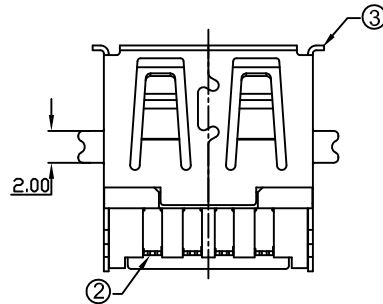
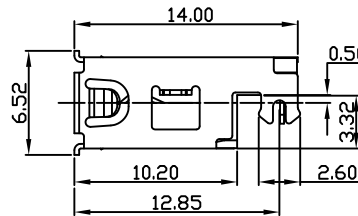
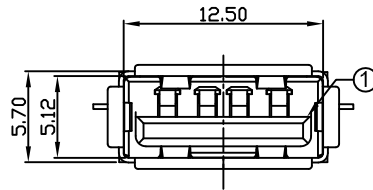
SUA-110E8 * - * * *

Series ————
 Type ————
 B: Black ————
 Material ————
 P : Nylon
 L : LCP

Shell
 N : Nickel Plated

Version
 1 : 1.1
 2 : 2.0

**RECOMMEND PCB LAYOUT
TOP VIEW**



POWERWAY ELECTRONICS CO.,LTD.
 博 歲 電 子 股 份 有 限 公 司

COMPUTER NO.			UNIT	SCALE	PART NAME	
D : \DWG \SUA-110E8			mm	1 : 1	USB. TYPE A REVERSE FLAT 90° DIP	
APPD.	CKD.	DWG.	DATE	TOLERANCE		REV.
	Aaron	Eric	2009-11-13	0.000mm ± 0.15mm 0.00 mm ± 0.25 mm 0.0 mm ± 0.35 mm		A.0

MODEL SUA-110E8 * - * * * PAGE 1 OF 1