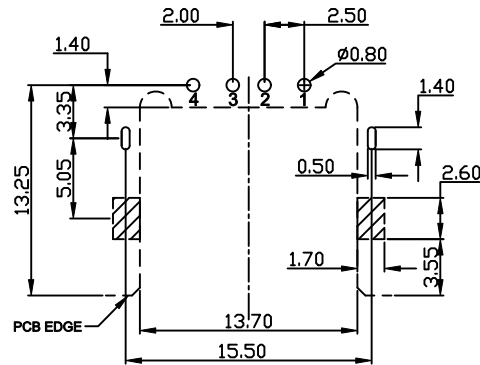
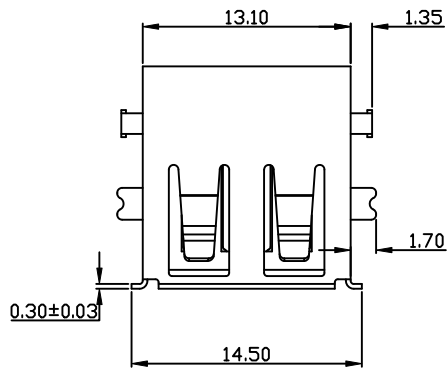
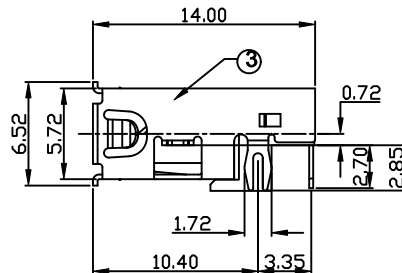
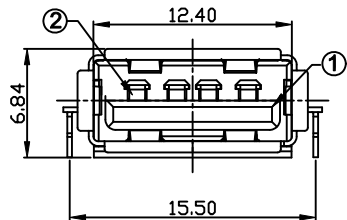
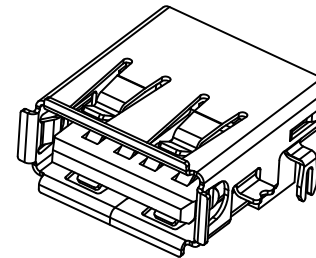


NO.	NAME	MATERIAL	FINISH
1	HOUSING	Nylon / LCP	
2	CONTACT	PHOS. BRONZE	Gold-Tin Plated
3	SHELL	BRASS	Ni Plated

REV	ZONE	REVISION	DATE	APPD.
A.0	Ⓐ	增加LCP選項	2009.08.28	Eric



RECOMMENDED PCB LAYOUT
TOP VIEW



SUA-110E3 *-* **

- Series
- Type
- B: Black
- Material
- P: Nylon
- Ⓐ L: LCP
- Shell
- N: Nickel Plated (Foggy Surface)
- Version
- 1: 1.1
- 2: 2.0



POWERWAY ELECTRONICS CO.,LTD.
博歲電子股份有限公司

COMPUTER NO.			UNIT	SCALE	PART NAME	
D:\DWG\SUA-110E3			mm	1:1	USB. TYPE A REVERSE FLAT 90° DTP	
APPD.	CKD.	DWG.	DATE	TOLERANCE		REV.
	Michael	Chindge	2009-03-19	0.000mm ± 0.15mm 0.00 mm ± 0.25 mm 0.0 mm ± 0.35 mm		A.1

MODEL SUA-110E3*-* ** * PAGE 1 OF 1