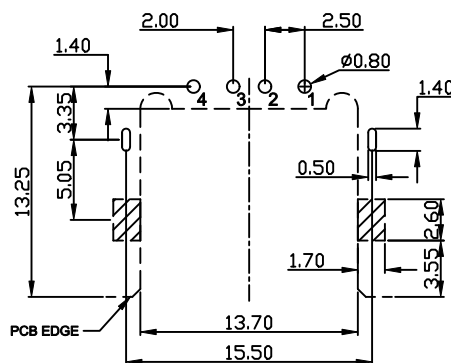
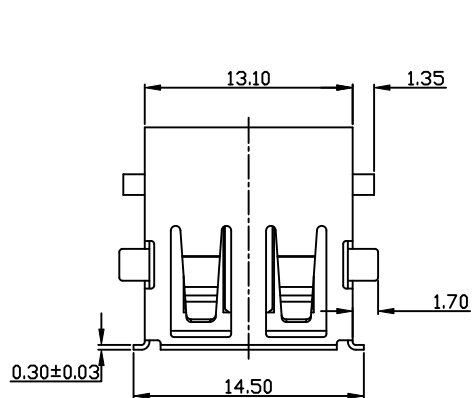
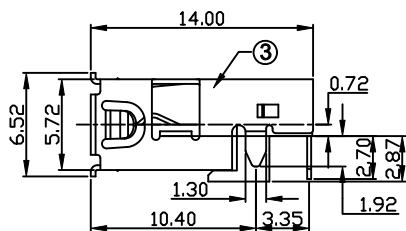
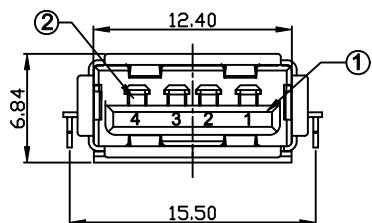
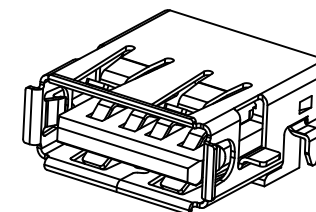


NO.	NAME	MATERIAL	FINISH
1	HOUSING	Nylon / LCP	
2	CONTACT	PHOS. BRONZE	Gold-Tin Plated
3	SHELL	BRASS	Ni Plated

REV	ZONE	REVISION	DATE	APPD.
A.1	(A)	增加LCP選項	2009.08.28	Eric



RECOMMENDED PCB LAYOUT  
TOP VIEW



**SUA-110E2 \*-\* \*\***

Series ———  
 Type ———  
 B: Black ———  
 Material ———  
 P: Nylon  
 (A) L: LCP

Shell  
 N: Nickel Plated (Foggy Surface)

Version  
 1: 1.1  
 2: 2.0



POWERWAY ELECTRONICS CO.,LTD.  
博歲電子股份有限公司

COMPUTER NO.			UNIT	SCALE	PART NAME	
D:\DWG\SUA-110E2			mm	1:1	USB. TYPE A REVERSE FLAT 90° DTP	
APPD.	CKD.	DWG.	DATE	TOLERANCE		REV.
	Michael	Chindge	2009-01-12	0.000mm ± 0.15mm 0.00 mm ± 0.25 mm 0.0 mm ± 0.35 mm		A.1

MODEL SUA-110E2\*-\* \*\* PAGE 1 OF 1