

NO.	NAME	MATERIAL
1	HOUSING	PBT / Nylon
2	PIN TERM.	PHOS. BRONZE
3	SHELL COVER	BRASS / SPCC
4	SHELL	BRASS
5	HOUSING COVER	PBT/Nylon

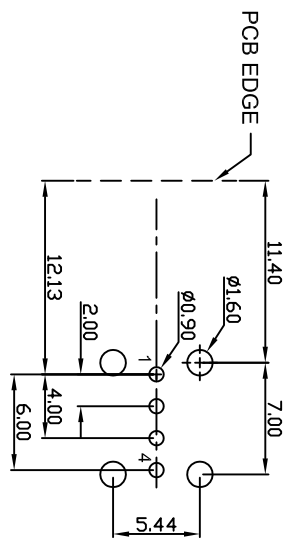
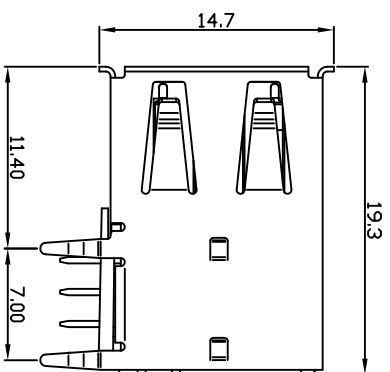
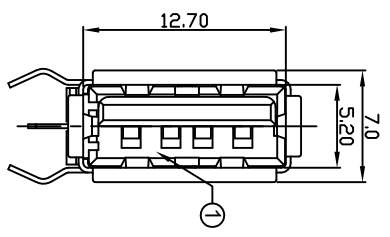
SUA-110V***

Series _____
 Type _____
 Color _____
 B : Black
 W : White

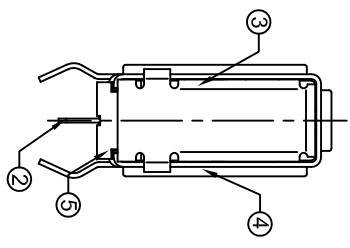
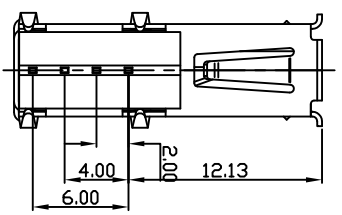
Shell _____
 T : Tin Plated
 F : SPCC
 N : Nickel Plated (Foggy Surface)
 Version _____
 1 : 1.1
 2 : 2.0

Material _____
 B : PBT
 P : Nylon

REV	ZONE	REVISION	DATE	APPD.
A.1	(A)	增加Foggy Surface敘述	2009.3.23	Aaron



SUGGESTED PCB LAYOUT
TOP VIEW



POWERWAY ELECTRONICS CO.,LTD.
博 威 電 子 股 份 有 限 公 司

MODEL	SUA-110V***	PAGE 1 OF 1	COMPUTER NO.	UNIT	SCALE	PART NAME	REV.
			D : \ DWG \ SUA-110V	mm	1 : 1	USB, TYPE A UPRIGHT 90° DTP	A.1
			APPD.	DATE	TOLERANCE		
			CKD.	2007-02-14	0.000mm ± 0.075mm 0.00 mm ± 0.15 mm 0.0 mm ± 0.25 mm		
			Michael				
			Valiant				