

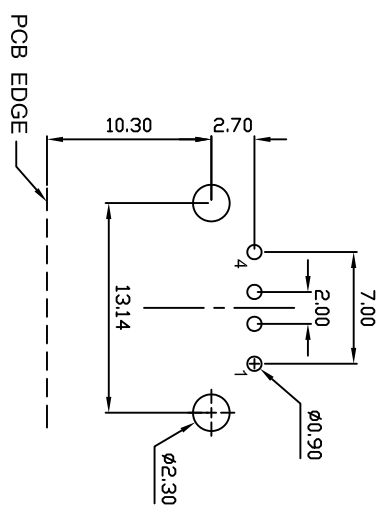
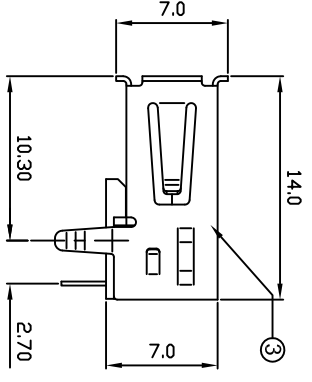
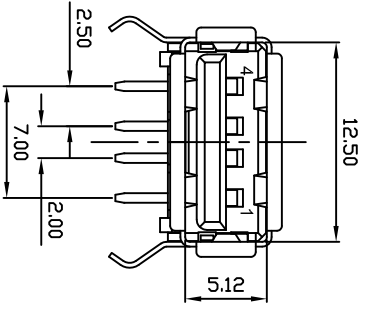
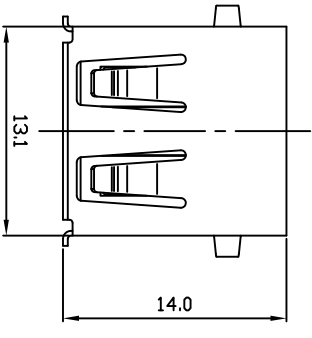
NO.	NAME	MATERIAL
1	HOUSING	PBT / Nylon
2	PIN TERM.	PHOS. BRONZE
3	SHELL	BRASS

# SUA-110H4 \* - \* - \* \*

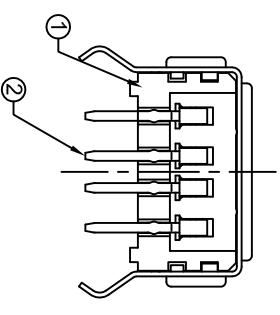
Series \_\_\_\_\_  
 Type \_\_\_\_\_  
 Color \_\_\_\_\_  
 B : Black  
 W : White

Shell \_\_\_\_\_  
 T : Tin Plated  
 N : Nickel Plated (Foggy Surface)  
 Version \_\_\_\_\_  
 1 : 1.1  
 2 : 2.0  
 Material \_\_\_\_\_  
 B : PBT  
 P : Nylon

REV	ZONE	REVISION	DATE	APPD.
A.1	(A)	增加Foggy Surface敘述	2009-03-20	Aaron



SUGGESTED PCB LAYOUT  
TOP VIEW



POWERWAY ELECTRONICS CO.,LTD.  
 博 威 電 子 股 份 有 限 公 司

MODEL SUA-110H4 \* - \* - \* \* PAGE 1 OF 1

COMPUTER NO. UNIT mm SCALE 1 : 1 PART NAME USB. TYPE A REVERSE FLAT 90° DIP

D : \ DWG \ SUA-110H4

APPD. CKD. Michael DWG. Michael

DATE 2007-06-02 TOLERANCE 0.000mm ± 0.075mm  
 0.00 mm ± 0.15 mm  
 0.0 mm ± 0.25 mm

