

NO.	NAME	MATERIAL
1	HOUSING	PBT / Nylon
2	PIN TERM.	PHOS. BRONZE
3	SHELL	BRASS

SUA-110H***

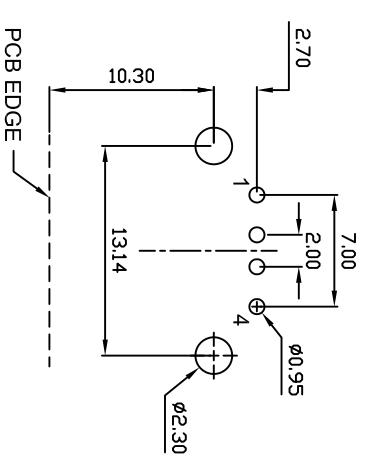
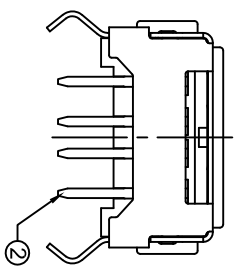
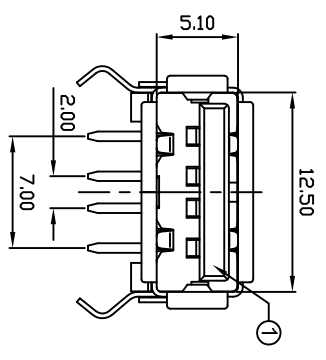
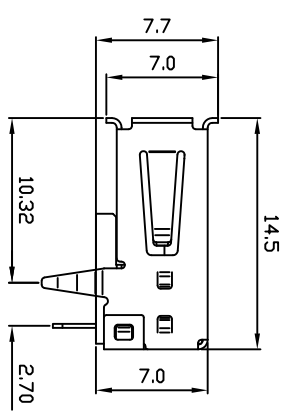
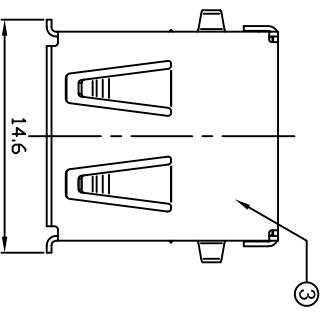
Series _____
 Type _____
 Color _____
 B : Black
 W : White

Shell _____
 T : Tin Plated
 F : SPC
 N : Nickel Plated (Foggy Surface) (A)

Version _____
 1 : 1.1
 2 : 2.0

Material _____
 B : PBT
 P : Nylon

REV	ZONE	REVISION	DATE	APPD.
A.1	(A)	增加Foggy Surface敘述	2009-03-20	Aaron



SUGGESTED PCB LAYOUT
TOP VIEW



POWERWAY ELECTRONICS CO.,LTD.
博 威 電 子 股 份 有 限 公 司

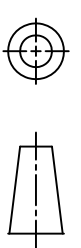
MODEL SUA-110H*** PAGE 1 OF 1

COMPUTER NO. UNIT mm SCALE 1:1 PART NAME USB, TYPE A FLAT 90° DTP

D:\DWG\SUA-110H

APPD. CKD. DWG. DATE 2007-03-12 TOLERANCE 0.000mm ± 0.075mm 0.00 mm ± 0.15 mm 0.0 mm ± 0.25 mm

Aaron Michael Valiant



REV. A.1