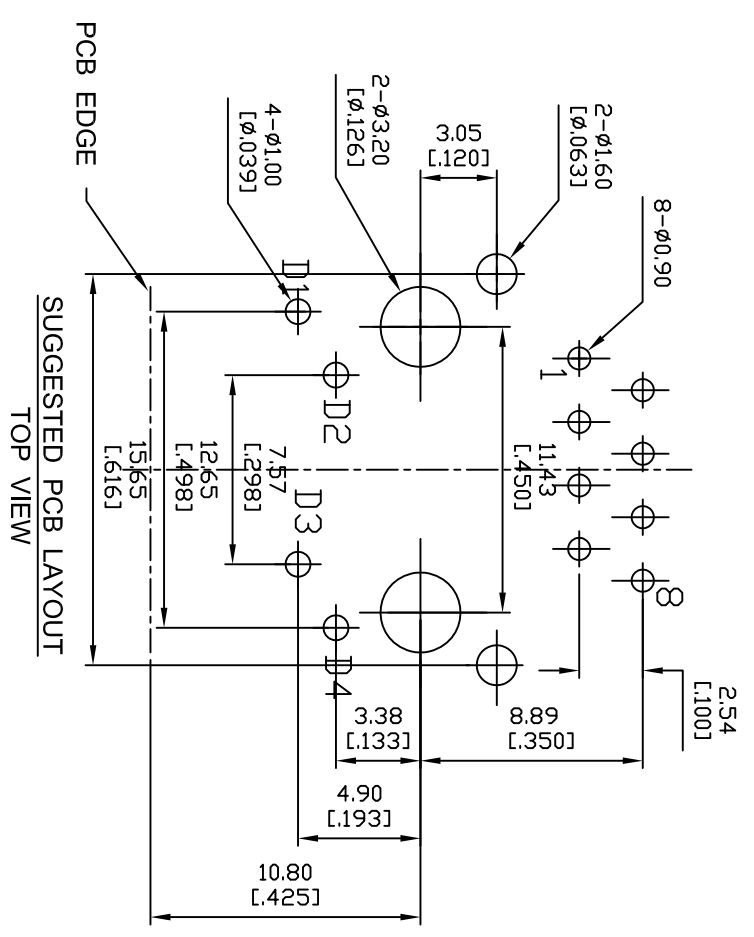
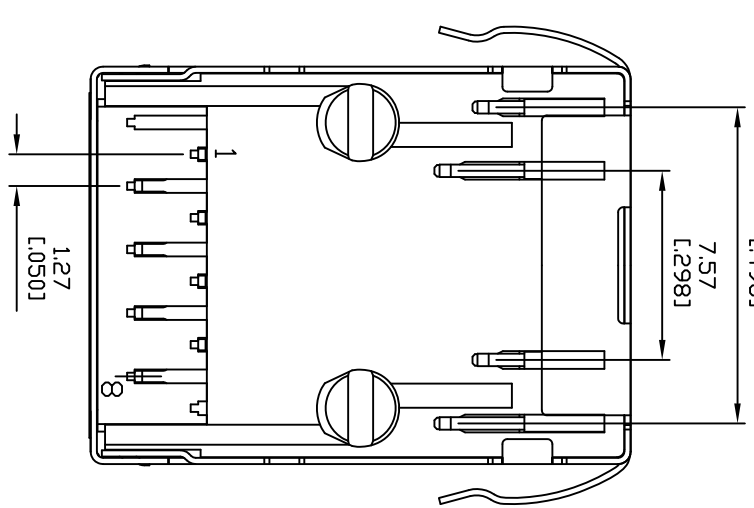
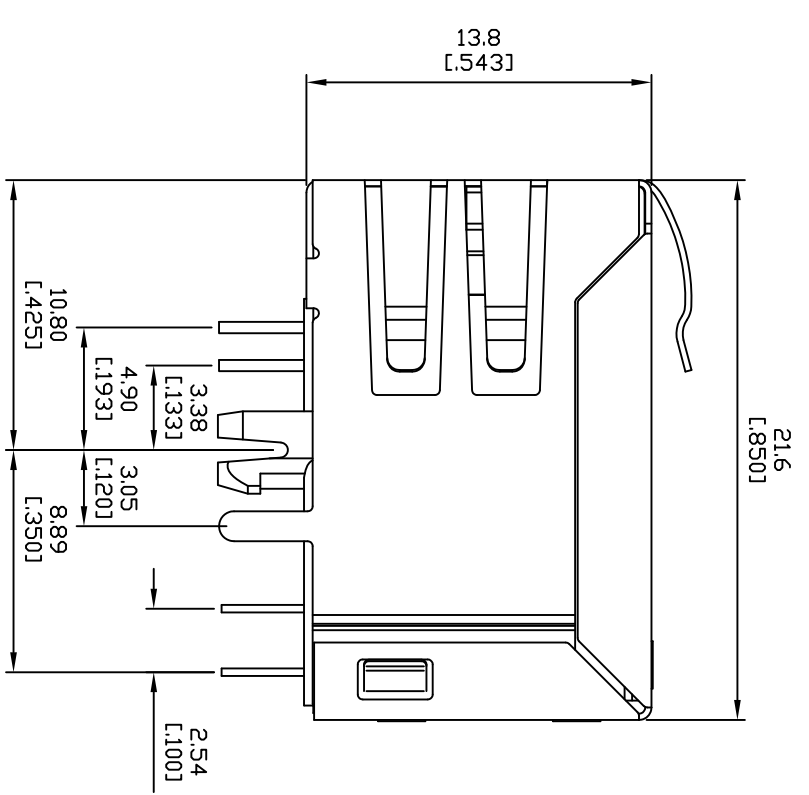
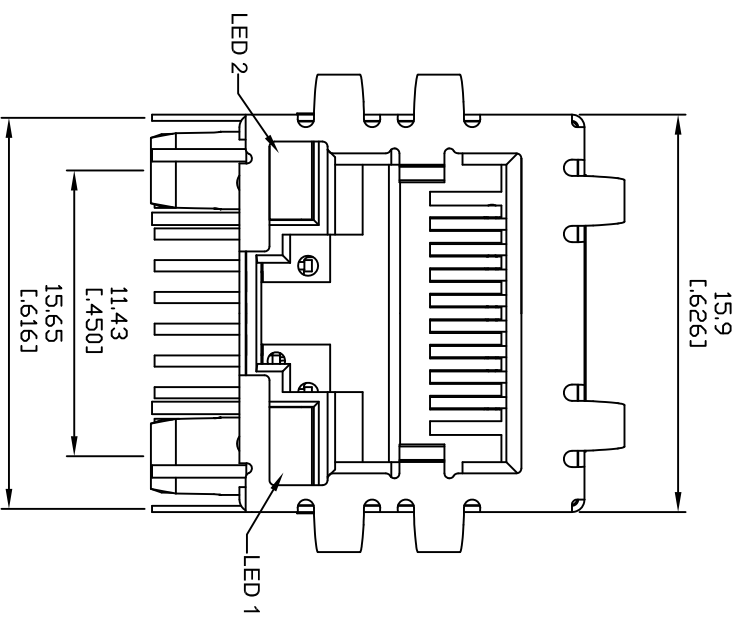
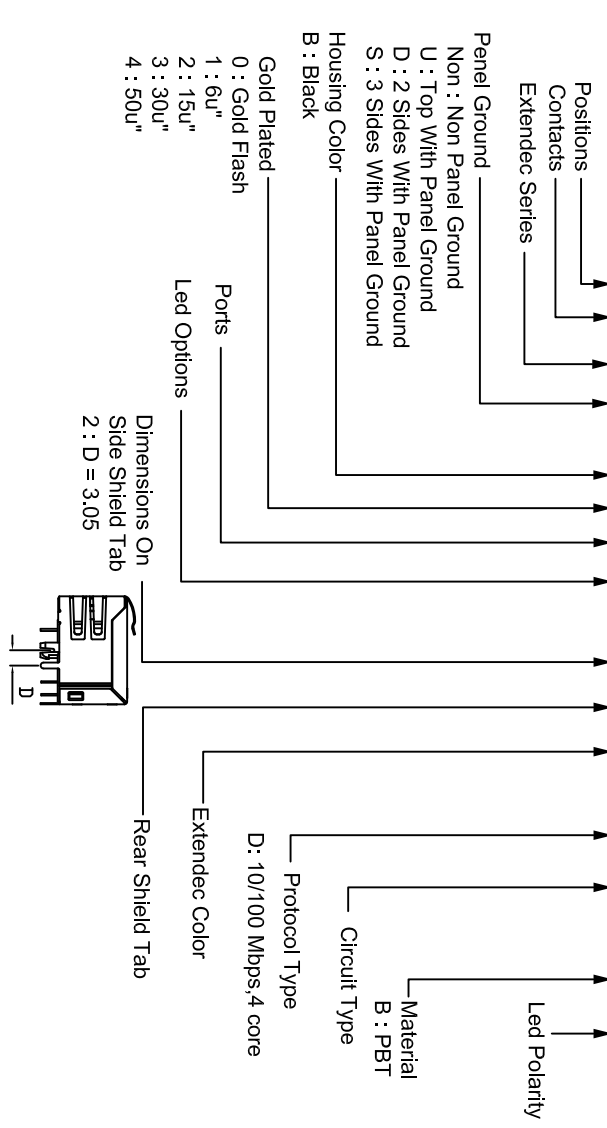


# 1. MECHANICAL DIMENSIONS:



- Material:**
- 1.Housing: Thermoplastic UL 94V-0
  - 2.Contact : Selective Gold Plating
  - 3.Terminal: 0.35mm Thickness Phosphor Bronze Plated With Gold And Tin In Solder Area.
  - 4.Shielded: Brass ,Nickel Plating

**PART NO : 7 5 8 8 A S - B \* 1 \* - 2 0 0 0 - D X X - B \* B**



**LED Color Options Table**

LED Color Options	LED 1 (Right)	LED OPTION
LED 2 (Left)	LED 1 (Right)	LED OPTION
Yellow	Green	1
No LED	Green	2
Yellow	No LED	3
Green	Yellow	4
Green	Green	5
Yellow	Yellow	6
Orange/Green	Orange/Green	7
Yellow/Green	Yellow/Green	8
Orange/Green	Yellow	9

**LED Polarity Table**  
(Applicable only for single-colored LED)

Number	Position	LED 2 (Left)	LED 1 (Right)
0		D1 <sup>+</sup> -K <sup>+</sup> -ø02	D3ø <sup>+</sup> -K <sup>+</sup> -ø04
1		D1ø <sup>+</sup> -K <sup>+</sup> -ø02	D3ø <sup>+</sup> -K <sup>+</sup> -ø04
2		D1ø <sup>-</sup> -K <sup>+</sup> -ø02	D3ø <sup>+</sup> -K <sup>+</sup> -ø04
3		D1ø <sup>-</sup> -K <sup>+</sup> -ø02	D3ø <sup>-</sup> -K <sup>+</sup> -ø04

**博 威 電 子 股 份 有 限 公 司**  
**POWERWAY ELECTRONICS CO.,LTD.**

ZONE	REV.	DESCRIPTION	DATE	APPD.	FILE NO : 75 (SERIES)	TOLERANCE(公差) :
(A)						0.000 mm ± 0.075 mm
(B)						0.00 mm ± 0.15 mm
(C)						0.0 mm ± 0.25 mm
(D)						
(E)						

TITLE	圖名	料號	REV.	版本	DATE	日期	CHECKED BY	審核	DRAWN BY	製圖
RJ45 Connector, Shielded, With Led With Transformer, Side Entry PCB Jack		7588AS-B*1*-2000-D**-*B*B	A.0		2009-03-16		Nick		David	

