

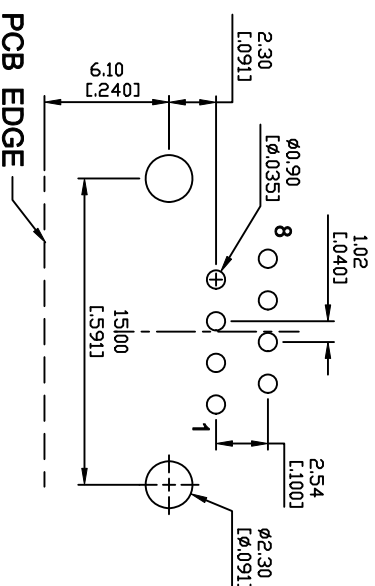
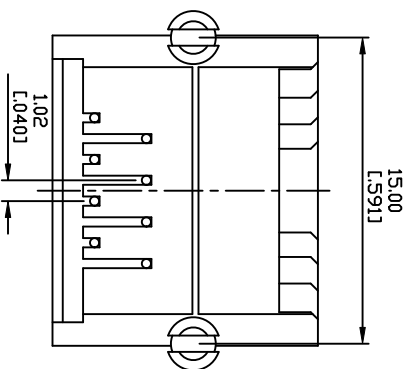
Electrical Characteristics :
 Insulation Resistance : 500MΩ Min.
 Contact Resistance : 30mΩ Max.
 Withstand Voltage : 1000 VAC 1 minute.
 Current Rating : 1.5A

Material:

Housing : Thermoplastic UL94V-0
 Contact : Full Gold Plating
 Spring Wire : Dia 0.45mm Phosphor Bronze
 Optional Gold Plating Over Nickel
 CUL File No : E215573


PART NO : 5 2 A 8 8 - B * 1

Positions	Ports
Contacts	Gold Plated
Housing Color	0 : Gold Flash
	1 : 60"
	2 : 150"
	3 : 300"
	4 : 500"



SUGGESTED PCB LAYOUT
TOP VIEW

ZONE	REV.	DESCRIPTION	DATE	APPD.	FILE NO : 52 (SERIES)
(A)	A.1	Withstand Voltages500修改為1000VAC	2008-08-01	Nick	TOLERANCE(公差) : 0.000 mm ± 0.075 mm 0.00 mm ± 0.15 mm 0.0 mm ± 0.25 mm
(B)					
(C)					
(D)					
(E)					

 博 崴 電 子 股 份 有 限 公 司 POWERWAY ELECTRONICS CO.,LTD.		TITLE	NON-SHIELDED RJ45	UNIT	mm
		圖名	SIDE ENTRY PCB JACK	單位	inch
PART NO.	52A88-B*1	SCALE	1:1		
料號		比例			
REV.	A.1	DATE	2007-01-22		
版本		日期			
CHECKED BY	Michael	DRAWN BY	Valiant		
審核		製圖			