

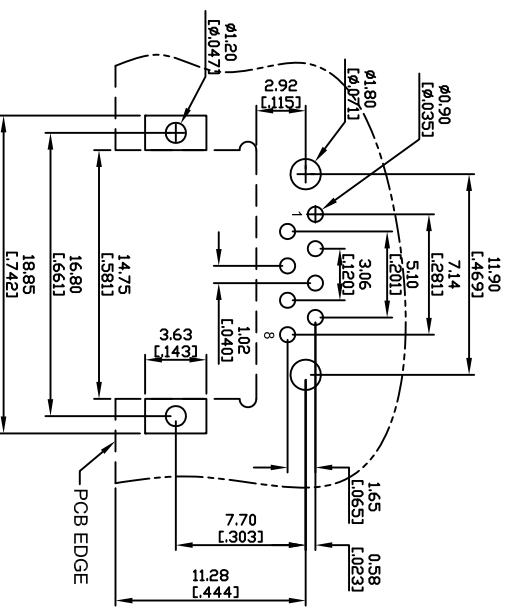
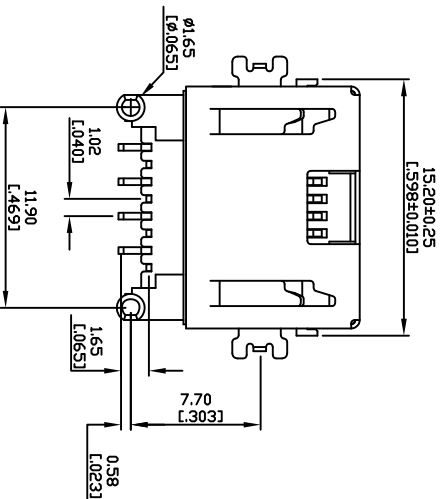
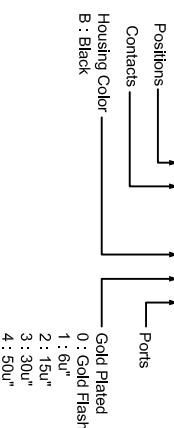
Electrical Characteristics :
 Insulation Resistance : 100M Ω Min.
 Contact Resistance : 50m Ω Max.
 Withstand Voltage : 500 VAC 1 minute.
 Current Rating : 1.0A

Material:

- Housing : Thermoplastic UL94V-0
- Contact : Selective Gold Plating.
- Terminal: 0.3mm Thickness Phosphor Bronze, Tin Plated on the Solder Area.
- Shield : SUS, Tin Plated on the Solder Area.

CUL File No : E215573

PART NO : 3088A-B*10



RECOMMENDED PCB LAYOUT
TOP VIEW

ZONE	REV.	DESCRIPTION	DATE	APPD.	FILE NO : 30 (SERIES)
(A)	A.1	外觀材質由黃銅改為SUS	2009.03.20	Aaron	TOLERANCE (公差): 0.000 mm ± 0.075 mm 0.00 mm ± 0.15 mm 0.0 mm ± 0.25 mm
(B)					
(C)					
(D)					
(E)					

博 威 電 子 股 份 有 限 公 司 POWERWAY ELECTRONICS CO.,LTD.		TITLE		RJ45, 8P8C, Offset Type, Partial Shielded, RJ11 Mateproof Function	UNIT	mm
		PART NO.		3088A-B*10	SCALE	1:1
REV.	A.1	DATE	2009-03-11			
CHECKED BY	Michael	DRAWN BY	Michael			